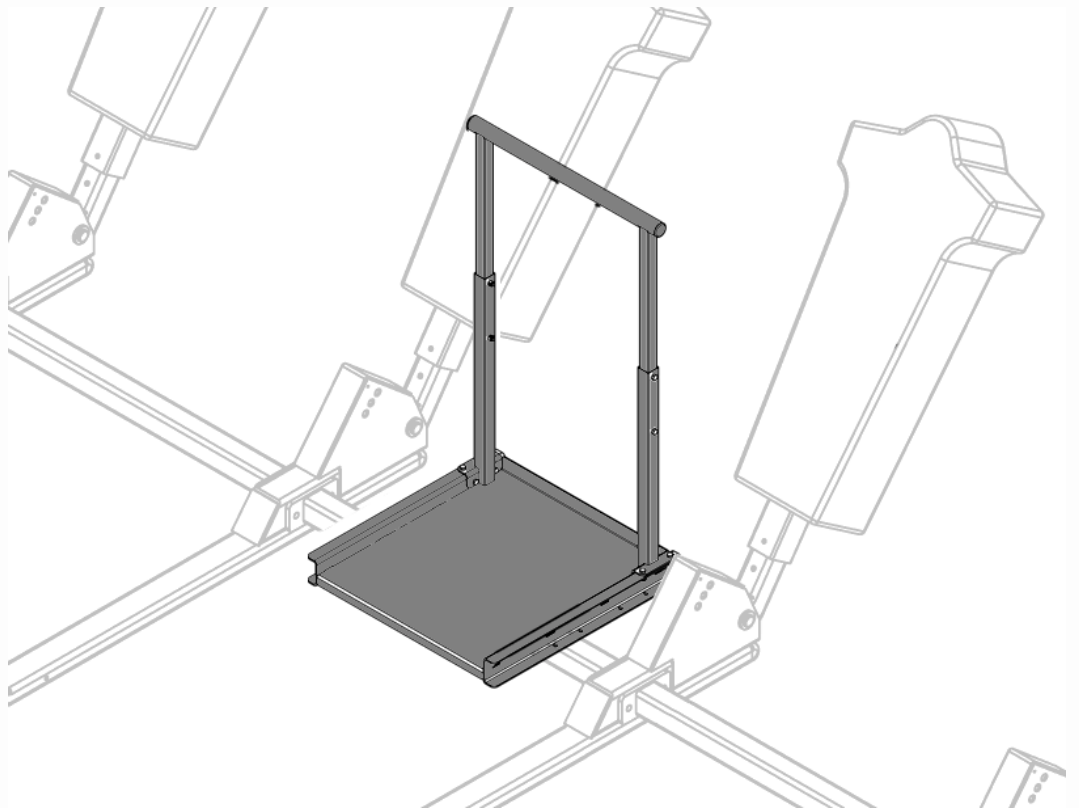




ROGERS

PRODUCT INFORMATION PACKET
PRODUCT NAME: COACH'S PLATFORM
PRODUCT PART NUMBER: 41 1309



KEEP INFORMATION PACKET FOR FUTURE REFERENCE

TABLE OF CONTENTS

- Introduction.....1
- General Safety Rules.....2
- Symbols.....3
- Technical Specifications.....4
- User Instructions.....5
- Maintenance.....7
- Customer Service Information.....7

INTRODUCTION

The Rogers Athletic Coach's Platform has been designed and manufactured with safety, performance and dependability as top priorities, making it easy to operate and maintain.

The care you give your Coach's Platform will greatly determine your satisfaction with its performance and service life. Careful study of this manual is encouraged to obtain a thorough understanding of your new Coach's Platform and its functions.

If your manual is lost or destroyed, Rogers Athletic will gladly provide you with a new copy. Should you require additional information or assistance, please feel free to contact us at 800-457-5337.

BECAUSE ROGERS ATHLETIC MAINTAINS AN ONGOING PROGRAM OF
PRODUCT DEVELOPMENT AND IMPROVEMENT, WE RESERVE THE RIGHT
TO MAKE IMPROVEMENTS IN DESIGN OR CHANGES IN SPECIFICATIONS
WITHOUT INCURRING ANY OBLIGATIONS TO INSTALL THEM ON UNITS
PREVIOUSLY SOLD.

GENERAL SAFETY RULES



WARNING!



READ AND UNDERSTAND ALL INSTRUCTIONS.

Failure to follow all instructions listed below may result in serious personal injury.

SAVE THESE INSTRUCTIONS

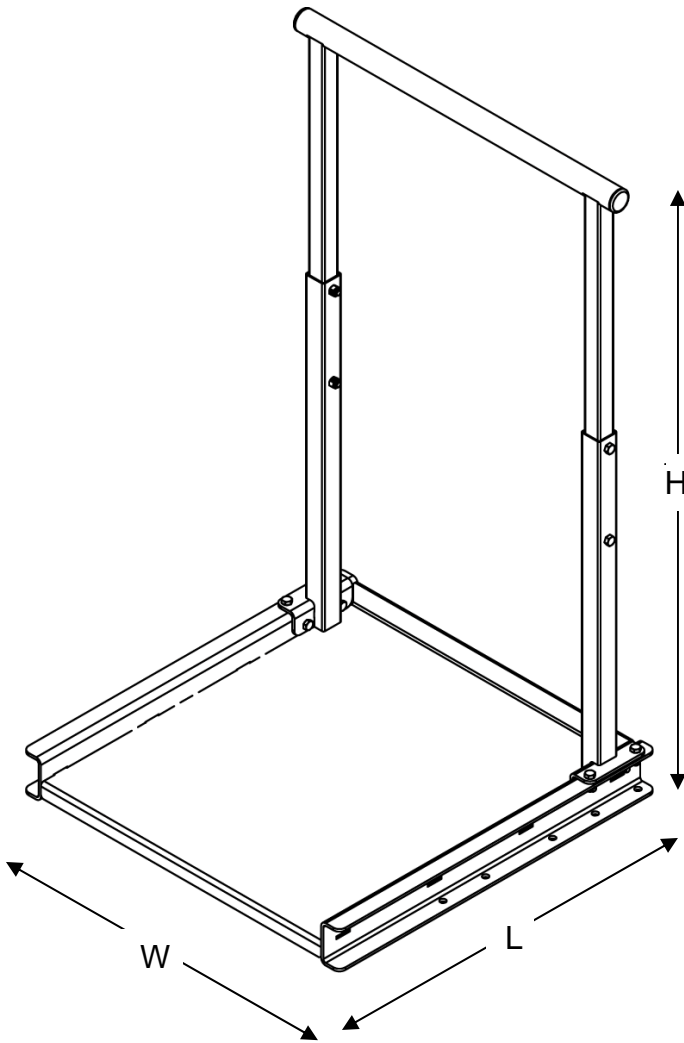
- **Inspect equipment prior to use.** DO NOT use if it appears damaged or inoperable.
- **This Product Information Packet is an integral part of this machine.** Save these instructions. If they are lost or damaged or if you would like another copy, a copy can be downloaded from www.RogersAthletic.com
- **Reading the Product Information Packet is recommended.** Failure to read this Packet is considered a misuse of this equipment.
- **Warning labels are an integral part of this equipment.** Become familiar with all caution/warning labels and never cover or deface caution/warning labels.
- **Unit is designed to allow Coach to view players' technique while performing drills.** Do not use Coach's Platform for anything other than its approved purpose.
- **Equipment is designed for use by one person at a time.** Keeping other athletes and spectators away from the machines during use is recommended.
- **When not in use, store this equipment in a secure controlled area.** Unsupervised and/or inappropriate use of this equipment could result in serious injury.

SYMBOLS

	<p>Safety Alert: Precautions that involve your safety.</p>
	<p>Store this equipment in a secure, controlled area: Unsupervised and/or inappropriate use of this equipment could result in serious injury.</p>

ROGERS ATHLETIC FIELD EQUIPMENT SPECIFICATIONS

COACH'S PLATFORM (PART# 411309)



Weight:	54 lbs (25 kg)
Height:	44" (112cm)
Length:	26" (66cm)
Width:	26" (66cm)

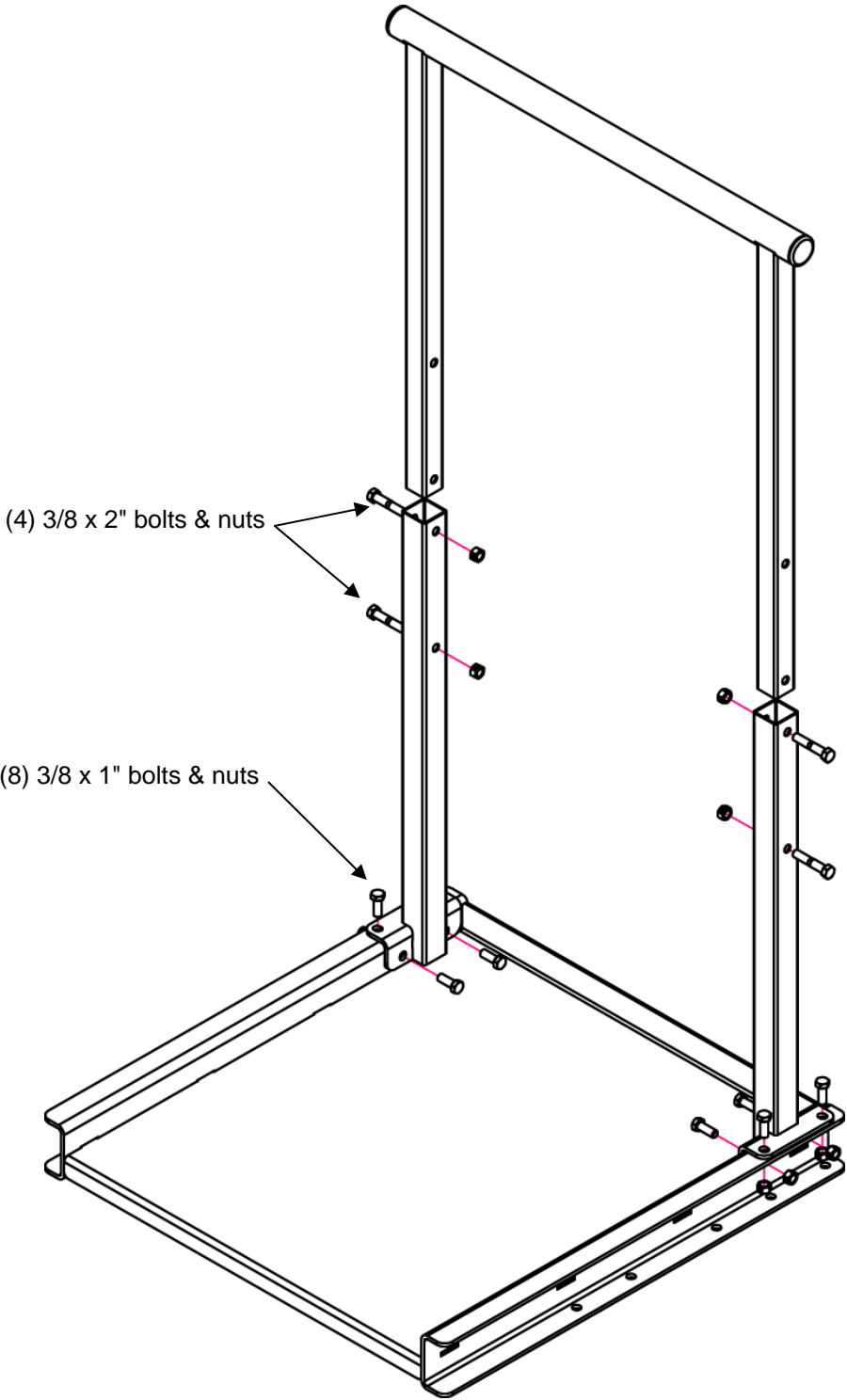
- Allows Coach to watch the force and technique of each player as he drills.
- Fits Lev, Mod, Powerline, and TEK Sleds.

Coach's Platform Construction, Finish, and Hardware

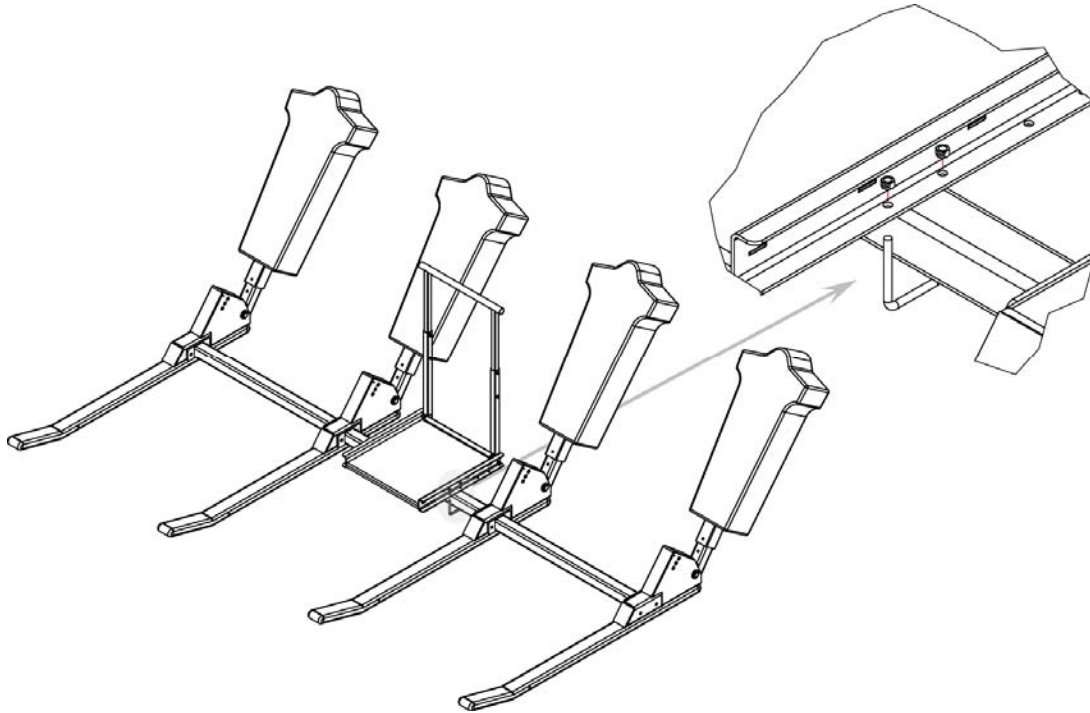
- Constructed of ASTM specified steel.
- Baked-on powder coat finish.
- Zinc-plated hardware.

ASSEMBLY INSTRUCTIONS

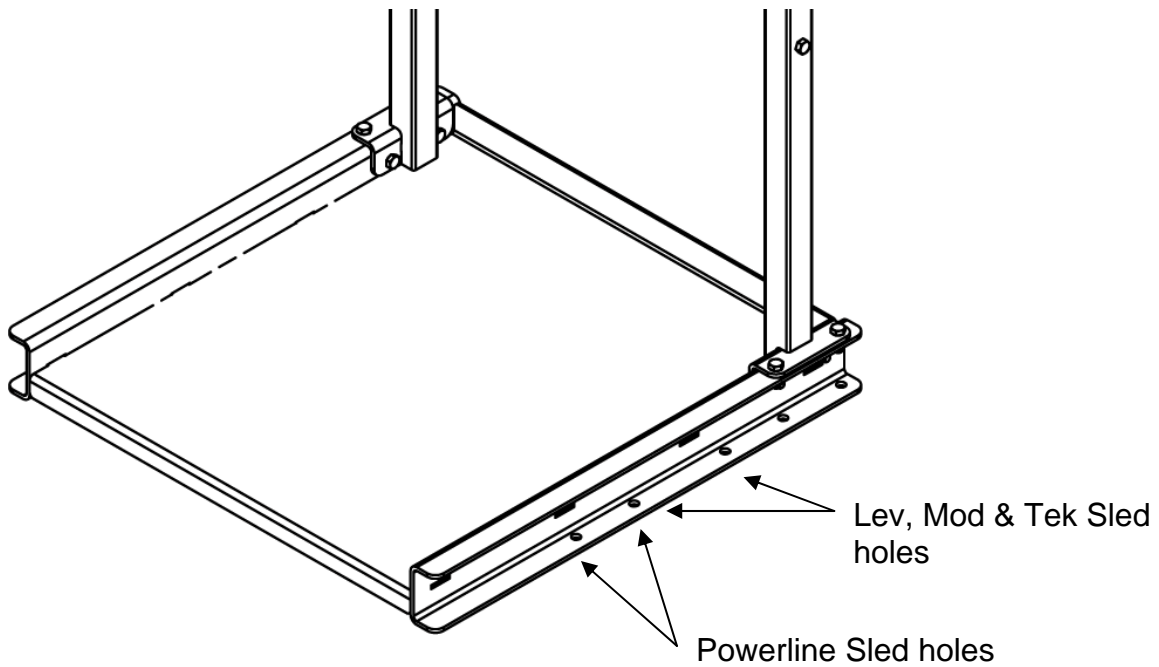
1



2



Attach Coach's Platform to sled using the supplied U bolts, washers and nuts. Note: One pair of u-bolts will be unused depending on sled attachment.



MAINTENANCE



WARNING!

READ AND UNDERSTAND ALL MAINTENANCE PROCEDURES.

Failure to follow all procedures listed below may cause serious injury and/or decrease equipment functionality.

- **Frequently check to see that all bolts are securely fastened.**
- **Touch up paint may be used to cover scratches or blemishes sustained through use.**
- **Scratches and rust will occur on the pan from normal use.**
- **Field equipment should be washed periodically with soapy water to maintain original surface finish.**
- **Replace any damaged equipment with genuine Rogers Athletic parts.** Failure to do so may result in unsafe equipment and/or personal injury.

CUSTOMER SERVICE

For parts or service contact Rogers Athletic Company. When ordering parts be sure to provide all relevant information available including the name and part number of the equipment purchased. This information is located on the cover of this product information package. Customer service hours are Monday through Friday from 8:00 a.m. to 5:00 p.m. Eastern Standard Time. Customers can phone (989) 386-2950 or toll free at (800) 457-5337. Fax toll free at (888) 549-9659 or mail to:

Rogers Athletic Company
3760 W. Ludington Drive
Farwell, MI 48622

Rogers Athletic Company
3760 N. Ludington Drive
Farwell, MI 48622
www.rogersathletic.com
(989) 386-2950
(800) 487-5337
Fax toll free (888) 549-9659