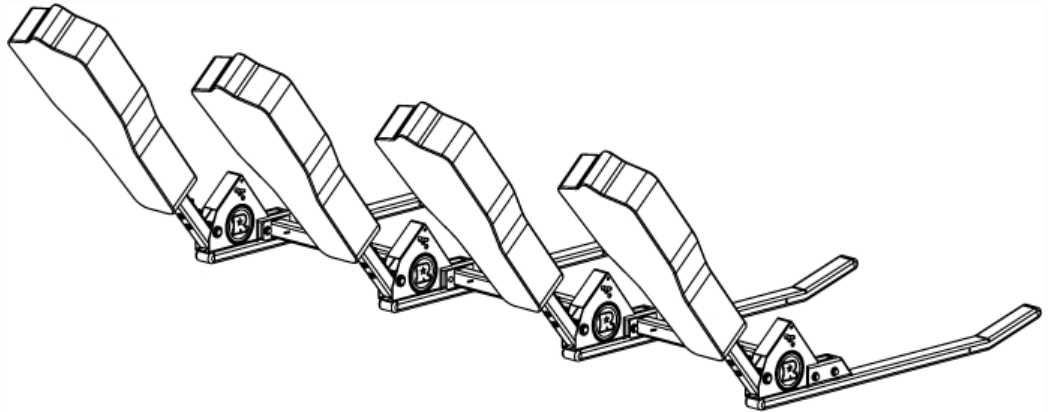




ROGGEERS
For the Perfection of Football Fundamentals™

PRODUCT INFORMATION PACKET
PRODUCT NAME: POWERLINE SLED
PRODUCT PART NUMBER: 411101 - 411107



KEEP INFORMATION PACKET FOR FUTURE REFERENCE

TABLE OF CONTENTS

- Introduction.....1
- General Safety Rules.....2
- Symbols.....3
- Technical Specifications.....4
- Assembly Instructions.....5
- Maintenance.....6
- Customer Service Information.....6

INTRODUCTION

The Rogers Athletic Powerline Sled has been designed and manufactured with safety, performance and dependability as top priorities, making it easy to operate and maintain.

The care you give your Powerline Sled will greatly determine your satisfaction with its performance and service life. Careful study of this manual is encouraged to obtain a thorough understanding of your new Powerline Sled and its functions and maintenance.

If your manual becomes lost or destroyed, Rogers Athletic will gladly provide you with a new copy. Should you require additional information or assistance, please feel free to contact us at 1-800-457-5337.

BECAUSE ROGERS ATHLETIC MAINTAINS AN ONGOING PROGRAM OF
PRODUCT DEVELOPMENT AND IMPROVEMENT, WE RESERVE THE RIGHT
TO MAKE IMPROVEMENTS IN DESIGN OR CHANGES IN SPECIFICATIONS
WITHOUT INCURRING ANY OBLIGATIONS TO INSTALL THEM ON UNITS
PREVIOUSLY SOLD.

GENERAL SAFETY RULES



WARNING!








READ AND UNDERSTAND ALL INSTRUCTIONS.

Failure to follow all instructions listed below may result in serious personal injury.

SAVE THESE INSTRUCTIONS

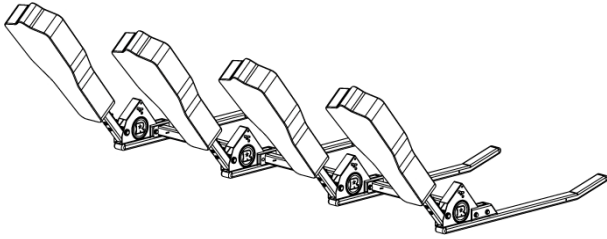
- **Supervision of athletes while using the equipment is recommended.** Horse play such as climbing on the machine or using the machine for unintended purpose can result in injuries.
- **Athletes should be oriented in the proper use of the equipment.**
- **Athletes should be properly fit to engage in a workout regimen.** Obtaining a medical exam prior to beginning any training program is recommended. If an athlete feels faint, dizzy, or experiences pain at any time while exercising, they should stop exercising and consult a physician.
- **Inspect equipment prior to use.** DO NOT use if it appears damaged or inoperable.
- **This Product Information Packet is an integral part of this machine.** Save these instructions. If they are lost or damaged or if you would like another copy, a copy can be downloaded from www.RogersAthletic.com
- **Reading the Product Information Packet is recommended.** Failure to read this Packet is considered a misuse of this equipment.
- **Warning labels are an integral part of this equipment.** Become familiar with all caution/warning labels and never cover or deface caution/warning labels.
- **Deploy the equipment allowing sufficient room for safe access to the machine, adequate room for the coaches to stand and to ensure that the machine or players do not collide with a wall, another machine, or other players through the entire training exercise.**
- **Unit is designed for training multiple offensive and defensive drills with proper technique.** Do not use Powerline Sled for anything other than its approved purpose.
- **Equipment is designed for use by one person per pad at a time.** Keeping other athletes and spectators away from the machines during use is recommended.
- **Design and execute training drills to avoid players from attempting to run through the same gap between the sled units simultaneously.** Colliding players could come in contact with the sled unit and/or connecting link resulting in an injury.
- **When not in use, store this equipment in a secure controlled area.** Unsupervised and/or inappropriate use of this equipment could result in serious injury.

SYMBOLS

	<p>Safety Alert: Precautions that involve your safety.</p>				
<table border="1"><tr><td colspan="2" data-bbox="215 520 597 569">⚠ WARNING</td></tr><tr><td data-bbox="215 569 386 751"></td><td data-bbox="386 569 597 751"><p>Store in secure area. Inappropriate use of this equipment could result in serious injury.</p></td></tr></table>	⚠ WARNING			<p>Store in secure area. Inappropriate use of this equipment could result in serious injury.</p>	<p>Store this equipment in a secure, controlled area: Unsupervised and/or inappropriate use of this equipment could result in serious injury.</p>
⚠ WARNING					
	<p>Store in secure area. Inappropriate use of this equipment could result in serious injury.</p>				
<table border="1"><tr><td colspan="2" data-bbox="196 804 618 856">⚠ CAUTION</td></tr><tr><td data-bbox="196 856 391 1010"></td><td data-bbox="391 856 618 1010"><p>Pinch Point. Keep hands and fingers clear.</p></td></tr></table>	⚠ CAUTION			<p>Pinch Point. Keep hands and fingers clear.</p>	<p>Pinch Point Symbol: Failure to keep hands away from pinch points may result in personal injury.</p>
⚠ CAUTION					
	<p>Pinch Point. Keep hands and fingers clear.</p>				

ROGERS ATHLETIC POWERLINE SLED™ SPECIFICATIONS

POWERLINE SLED (PART # 411101-411107)



Weight:	1 man = 191 lbs (87 kg) 2 man = 353 lbs (160 kg) 3-7 man = + 200 lbs (91 kg) each
Height:	15.5" (39cm) without pad
Depth:	82.7" (210cm) without pad
Width:	1 man = 34.25" (87 cm) 2 man = 52" (132 cm) without pad 3-7 man = + 48" (122 cm) each

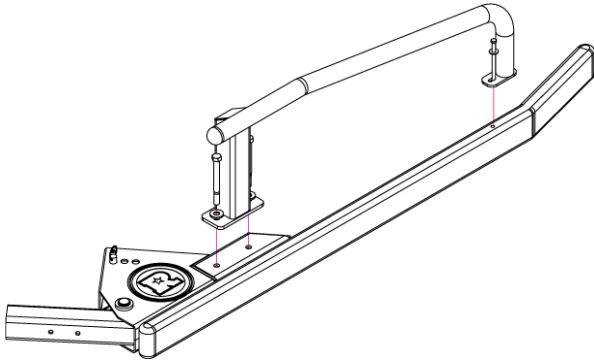
- Proper fit, extension, and finish skills are naturally perfected with regular powerline drills.
- Modular design allows easy upgrading by adding links and runners to your current Powerline Sled setup.
- Heavy weight increases realism of blocking drills.
- Energy-absorbing spring responds to individual effort.
- Adjustable pad height and pad angle to best suit your drills
- Angle keeps players low.
- Ground-hugging framework allows players to run through on defensive drills.
- Pad is held securely in place with a single pin making it easy to install, change, and remove the pad.
- The Powerline Sled is adaptable to five different pads to perfect different techniques for both offense and defense.
- The Powerline Sled can come with the optional Coach's Platform, for close-up evaluation and extra weight.

Powerline Sled™ Construction, Finish, and Hardware

- Construction: of ASTM specified steel.
- Baked-on powder coat finish.
- Pads covered with durable weather-resistant vinyl.
- Zinc-plated hardware.

ASSEMBLY INSTRUCTIONS

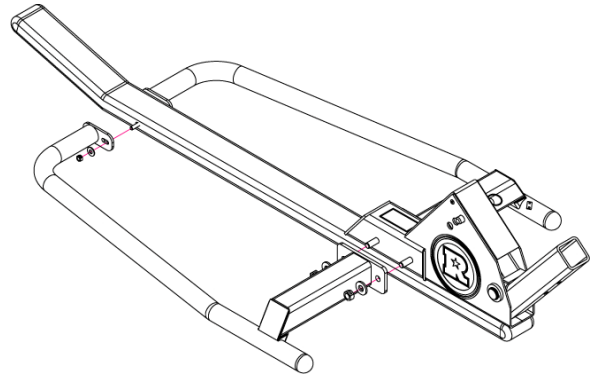
1



Note: For 2 – 7 man Powerline Sled setups skip to step 4.

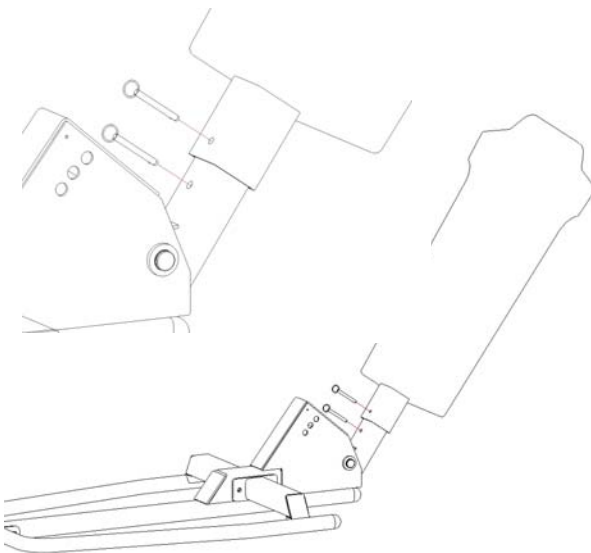
Lay PowerLine (PL) Sub-Assembly Runner on its side. Line up holes from the PL Outrigger with holes on the runner and use (2) 5/8" x 6" bolts and (2) 5/8" washers to hold it in place. Use a 3/8" x 5 1/2" bolt and 3/8" washer for the rearward hole. Then flip runner right side up so outrigger lays on the ground. Push bolts the rest of the way through.

2



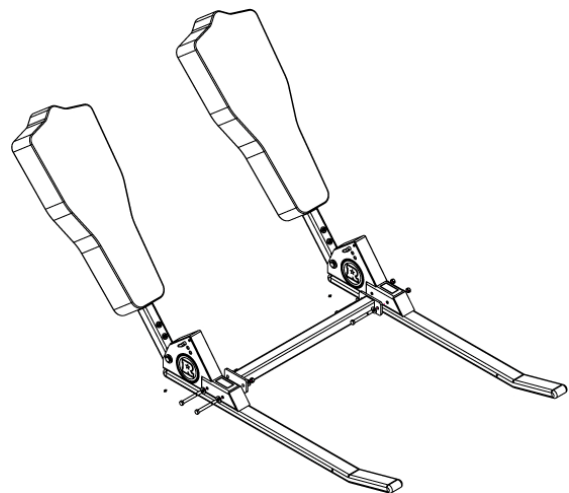
Fit second outrigger over the bolts and secure with (2) more 5/8" washers, (2) 5/8" nuts, (1) 3/8" washer and (1) 3/8" nut.

3



Insert the pad tube into the PL Sub Assembly with the graphics of the pad facing toward the training area. Use fas-pins to fasten the pad to the PL Runner.

4



For 2-7 man Powerline Sleds: Use the (2) 5/8" x 6" bolts, (2) 5/8" nuts, and (4) 5/8" washers to connect each PL runner to connection link. Repeat steps 3 & 4 for each additional unit installed

MAINTENANCE



WARNING!

READ AND UNDERSTAND ALL MAINTENANCE PROCEDURES.

Failure to follow all procedures listed below may cause serious injury and/or a decrease in equipment functionality.

- **Frequently check to see that all bolts are securely fastened.**
- **Touch up paint may be used to cover scratches or blemishes sustained through use.**
- **Field equipment should be washed periodically with soapy water to maintain original surface finish.**
- **A silicone based lubricant may be used on moving parts to maintain proper function.**
- **Replace any damaged equipment with genuine Rogers Athletic parts.** Failure to do so may result in unsafe equipment and/or personal injury.

CUSTOMER SERVICE

For parts or service contact Rogers Athletic Company. When ordering parts be sure to provide all relevant information available including the name and part number of the equipment purchased. This information is located on the cover of this product information package. Customer service hours are Monday through Friday from 8:00 a.m. to 5:00 p.m. Eastern Standard Time. Customers can phone (989) 386-2950 or toll free at 1-800-457-5337. Fax toll free at (888) 549-9659 or mail to:

Rogers Athletic Company
3760 W. Ludington Drive
Farwell, MI 48622

Rogers Athletic Company
3760 N. Ludington Drive
Farwell, MI 48622

www.rogersathletic.com

(989) 386-2950

(800) 457-5337

Fax toll free (888) 549-9659