



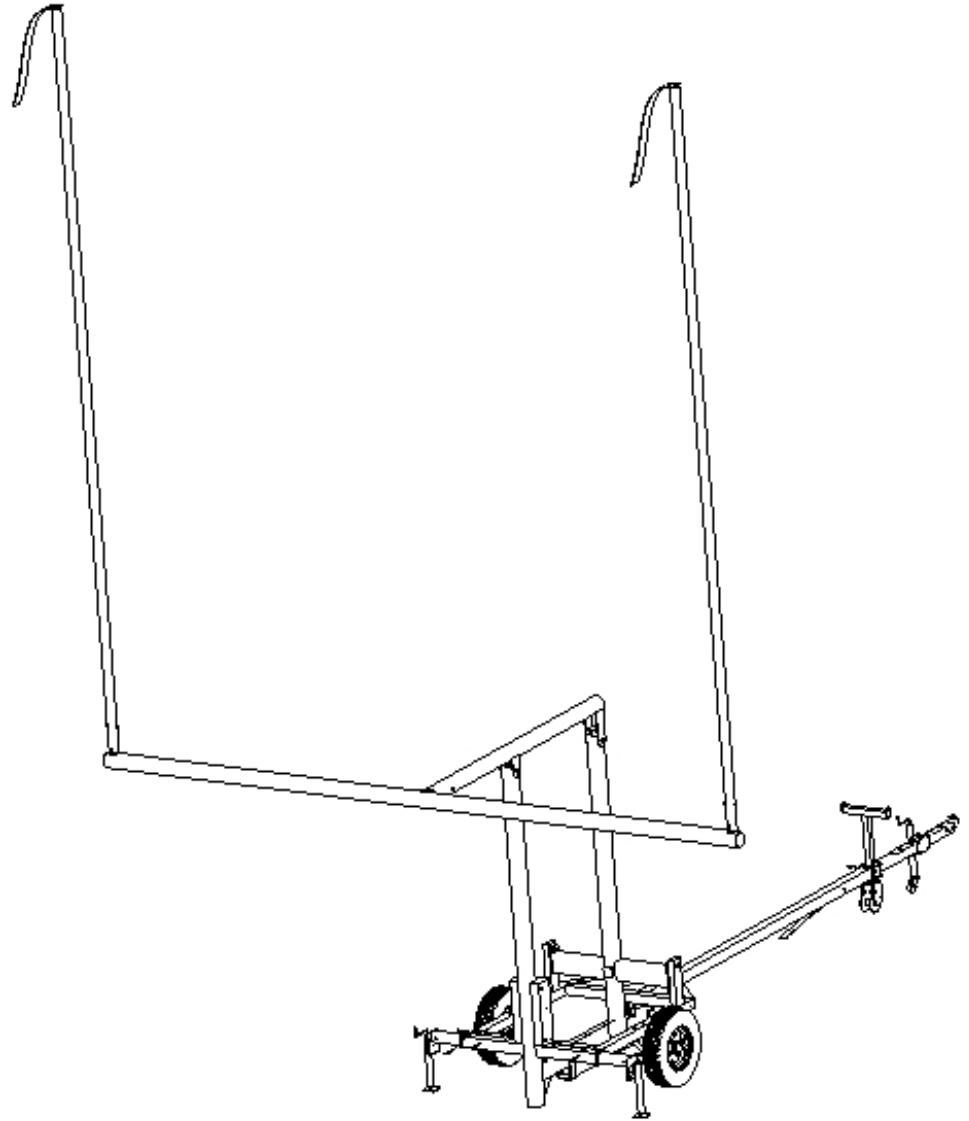
ROGGEERS

For the Perfection of Football Fundamentals™

PRODUCT INFORMATION PACKET

PRODUCT NAME: PORTABLE GOAL POST

PRODUCT PART NUMBER: 410353



KEEP INFORMATION PACKET FOR FUTURE REFERENCE

TABLE OF CONTENTS

- Introduction.....1
- General Safety Rules.....2
- Symbols.....3
- Technical Specifications.....4
- Assembly Instructions..... 5
- Maintenance.....9
- Customer Service Information.....9

INTRODUCTION

The Rogers Athletic Portable Goal Post has been designed and manufactured with safety, performance and dependability as top priorities, making it easy to operate and maintain.

The care you give your Portable Goal Post will greatly determine your satisfaction with its performance and service life. Careful study of this manual is encouraged to obtain a thorough understanding of your new Portable Goal Post and its functions.

If your manual is lost or destroyed, Rogers Athletic will gladly provide you with a new copy. Should you require additional information or assistance, please feel free to contact us at 800-457-5337.

BECAUSE ROGERS ATHLETIC MAINTAINS AN ONGOING PROGRAM OF
PRODUCT DEVELOPMENT AND IMPROVEMENT, WE RESERVE THE RIGHT
TO MAKE IMPROVEMENTS IN DESIGN OR CHANGES IN SPECIFICATIONS
WITHOUT INCURRING ANY OBLIGATIONS TO INSTALL THEM ON UNITS
PREVIOUSLY SOLD.

GENERAL SAFETY RULES



WARNING!











READ AND UNDERSTAND ALL INSTRUCTIONS.

Failure to follow all instructions listed below may result in serious personal injury.

SAVE THESE INSTRUCTIONS

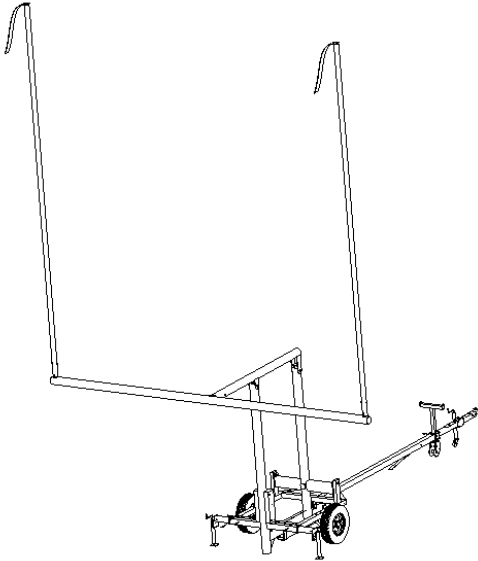
- **Use field equipment in a supervised environment with proper gear.**
- **Keep body and clothing free from and clear of all moving parts**
- **Inspect equipment prior to use. DO NOT use if it appears damaged or inoperable.**
- **Save these instructions.** Refer to them frequently and use them to instruct others who may use the Portable Goal Post. If you loan someone your Portable Goal Post, loan them these instructions also.
- **Read the Product Information Packet.** Failure to read the information packet is considered a misuse of this equipment.
- **Become familiar with all caution and warning decals affixed to the field equipment before use.**
- **Never cover or deface caution/warning labels.**

SYMBOLS

	<p>Safety Alert: Precautions that involve your safety.</p>		
<table border="1" data-bbox="198 632 683 858"> <tr> <td data-bbox="198 632 423 858">  </td> <td data-bbox="423 632 683 858"> <p>⚠ WARNING</p> <p>Avoid Injury. Do not climb.</p> </td> </tr> </table>		<p>⚠ WARNING</p> <p>Avoid Injury. Do not climb.</p>	<p>Do Not Climb Symbol: Climbing on or playing around equipment may result in personal injury.</p>
	<p>⚠ WARNING</p> <p>Avoid Injury. Do not climb.</p>		
<table border="1" data-bbox="198 926 683 1152"> <tr> <td data-bbox="198 926 423 1152">  </td> <td data-bbox="423 926 683 1152"> <p>⚠ WARNING</p> <p>Read and understand operator's manual and all other safety instructions before using this equipment.</p> </td> </tr> </table>		<p>⚠ WARNING</p> <p>Read and understand operator's manual and all other safety instructions before using this equipment.</p>	<p>Read the Operator's Manual: To reduce risk of injury, user must read and understand operator's manual before using this product.</p>
	<p>⚠ WARNING</p> <p>Read and understand operator's manual and all other safety instructions before using this equipment.</p>		
<table border="1" data-bbox="198 1220 683 1467"> <tr> <td data-bbox="198 1220 423 1467">  </td> <td data-bbox="423 1220 683 1467"> <p>⚠ CAUTION</p> <p>Off-Road Use Only</p> </td> </tr> </table>		<p>⚠ CAUTION</p> <p>Off-Road Use Only</p>	<p>For Off-Road Use Only Warning Label: Field equipment is not intended or designated for roadway travel</p>
	<p>⚠ CAUTION</p> <p>Off-Road Use Only</p>		

ROGERS ATHLETIC FIELD EQUIPMENT SPECIFICATIONS

PORTABLE GOAL POST (PART# 410353)



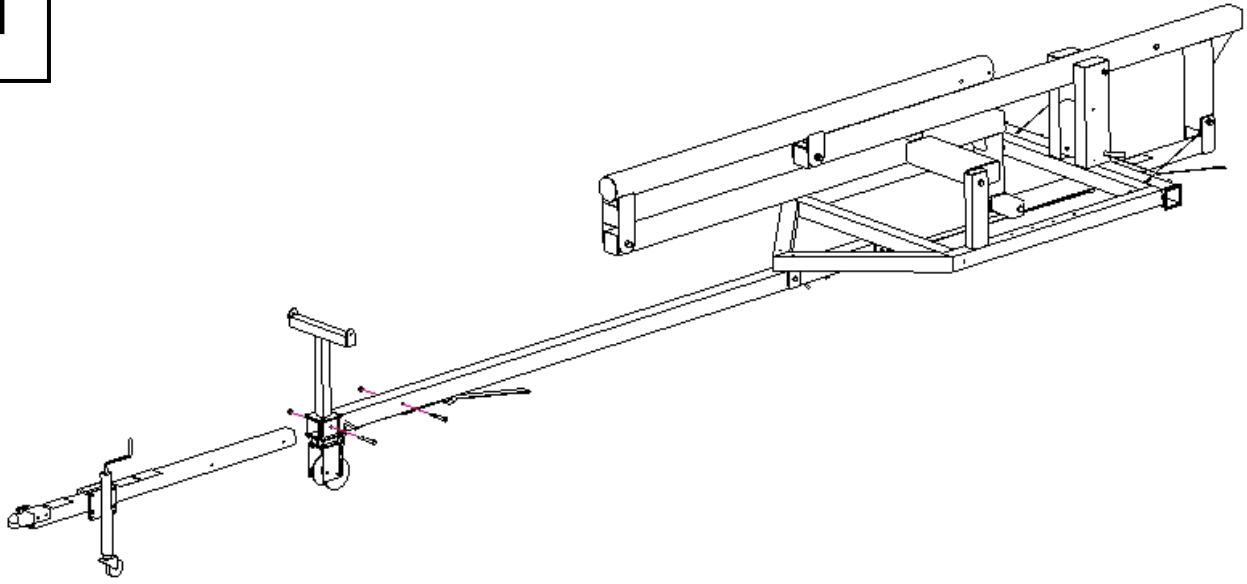
Weight:	18'6" - 1170 lbs 23'4" - 2000 lbs
Height:	18'6" - 31' 23'4" - 35'10"
Length:	Both - 23'4"
Width:	18'6" - 19' 23'4" - 23'10"

- Heavy duty winch facilitates raising and lowering the crossbar
- Allows easy two-person set-up, take down and transportation to accommodate many fields.

Drive Sled Construction, Finish, and Hardware

- Constructed of ASTM specified steel.
- Baked-on powder coat finish..
- Zinc-plated hardware.

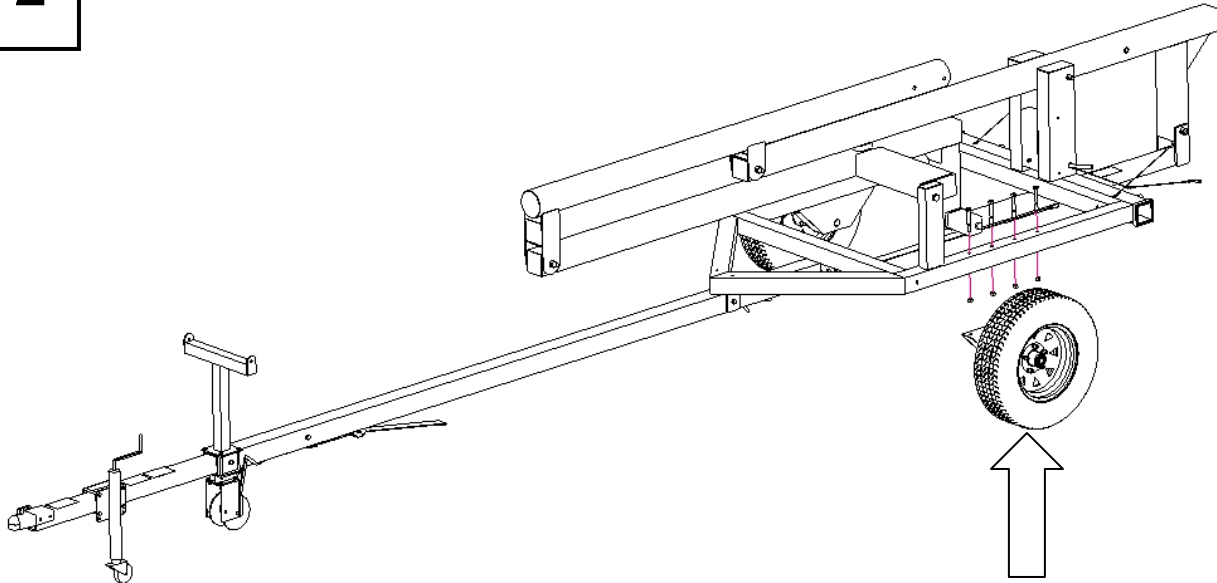
1



NOTE: Two people are needed for Portable Goal Post Assembly and set-up.

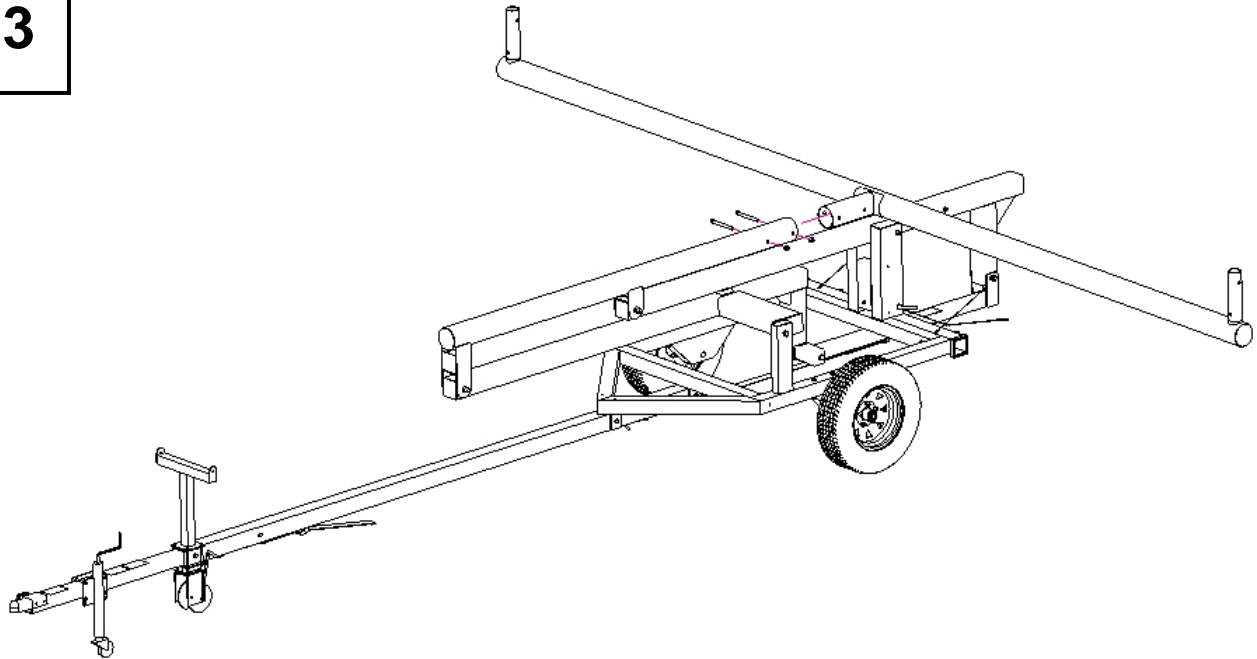
Slide hitch assembly into frame assembly. Insert (2) $\frac{1}{2}$ " bolts and nuts.

2



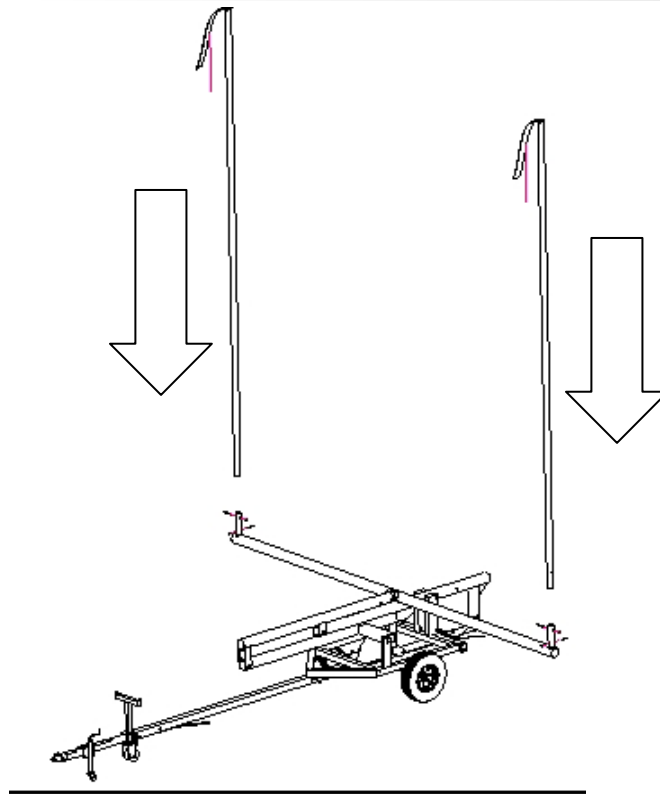
Bolt Wheel Assemblies onto frame assembly using (4) $\frac{1}{2}$ " nuts and bolts per side.

3



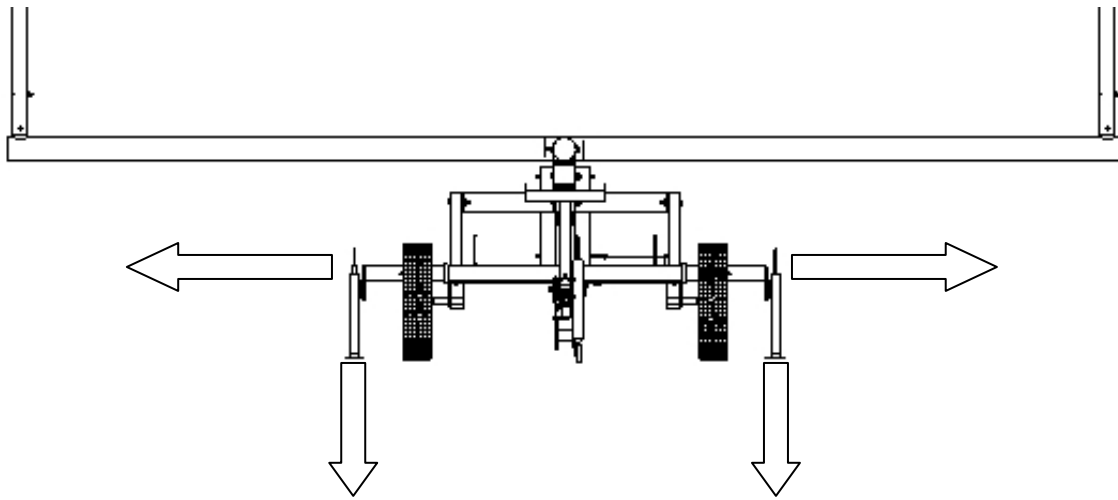
Slide Goal Crossbar into base assembly. Insert (2) 5/8" Bolts and Nuts as shown.

4



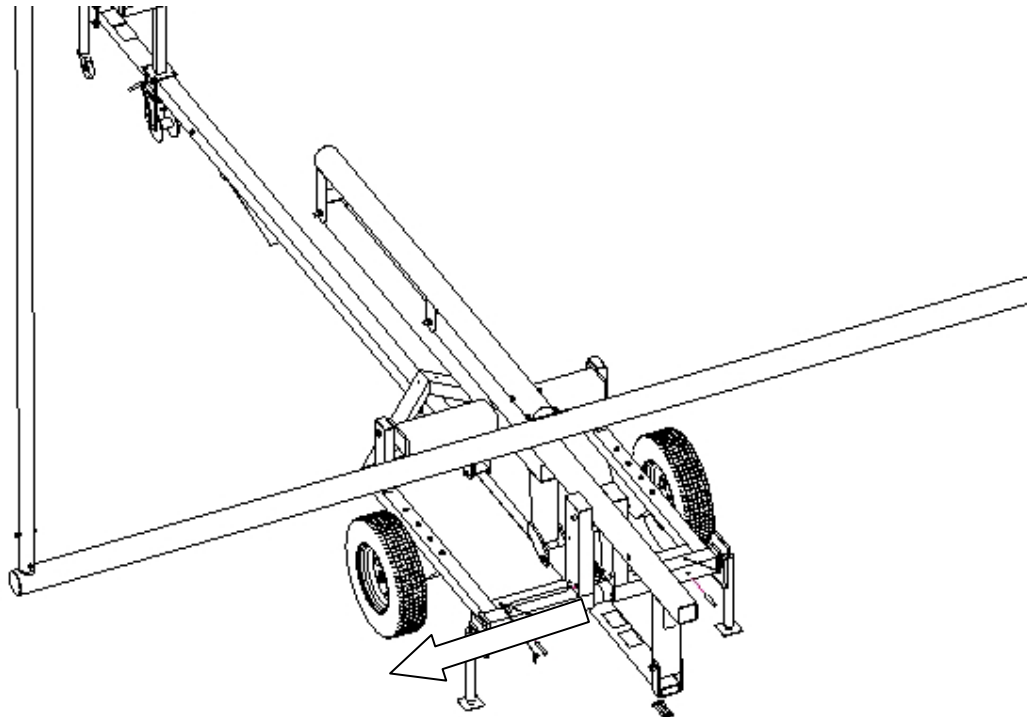
With steamer attached, place upright onto crossbar. Insert (2) 1/2" bolts and nuts per side.

5



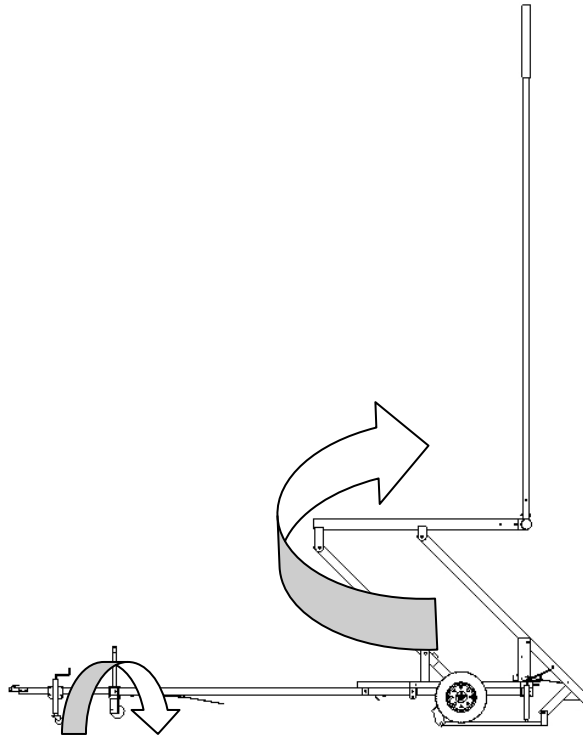
Pull Fas-pins in rear stabilizer legs, slide out to extended position. Re-insert Fas-pins. Crank both jacks down so the Portable Goal Post is level. Also crank the front jack to be level with the rear.

6



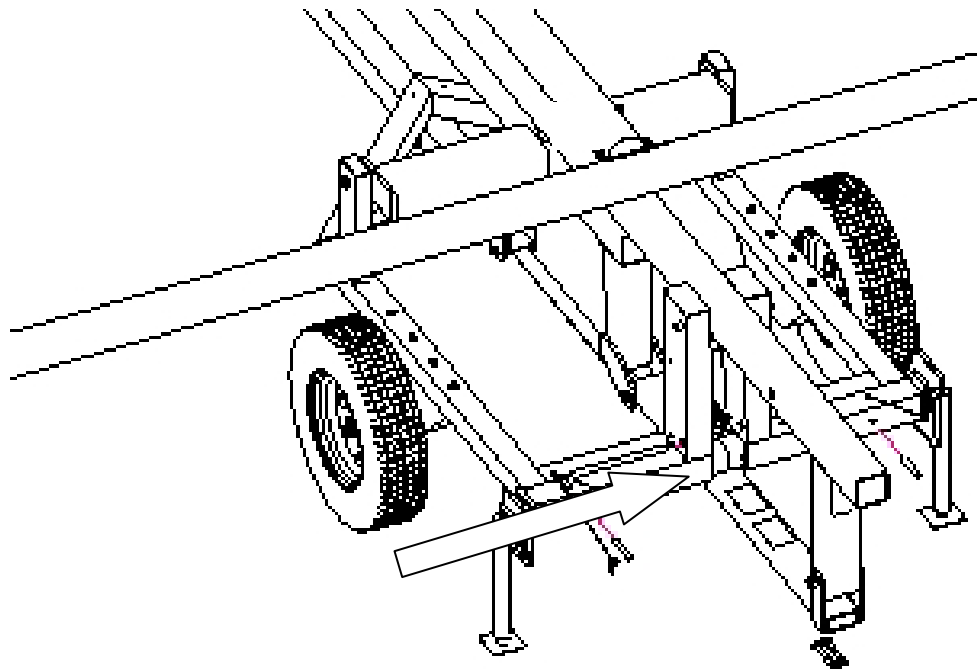
Pull fas-pin from the Goal Post Lock. Pull Goal Post Lock.

7



Turn winch handle to raise goal post.

8



Re-insert Goal Post Lock, and Fas-pin into Goal Post Lock.

MAINTENANCE



WARNING!

READ AND UNDERSTAND ALL MAINTENANCE PROCEDURES.

Failure to follow all procedures listed below may cause serious injury and/or decrease equipment functionality.

- **Frequently check to see that all bolts are securely fastened.**
- **Touch up paint may be used to cover scratches or blemishes sustained through use.**
- **Field equipment should be washed periodically with soapy water to maintain original surface finish.**
- **Replace any damaged equipment with genuine Rogers Athletic parts.** Failure to do so may result in unsafe equipment and/or personal injury.

CUSTOMER SERVICE

For parts or service contact Rogers Athletic Company. When ordering parts be sure to provide all relevant information available including the name and part number of the equipment purchased. This information is located on the cover of this product information package. Customer service hours are Monday through Friday from 8:00 a.m. to 5:00 p.m. Eastern Standard Time. Customers can phone (989) 386-2950 or toll free at (800) 457-5337. Fax toll free at (888) 549-9659 or mail to:

Rogers Athletic Company
3760 W. Ludington Drive
Farwell, MI 48622

Rogers Athletic Company
3760 N. Ludington Drive
Farwell, MI 48622
www.rogersathletic.com
(989) 386-2950
(800) 487-5337
Fax toll free (888) 549-9659

PIP410353