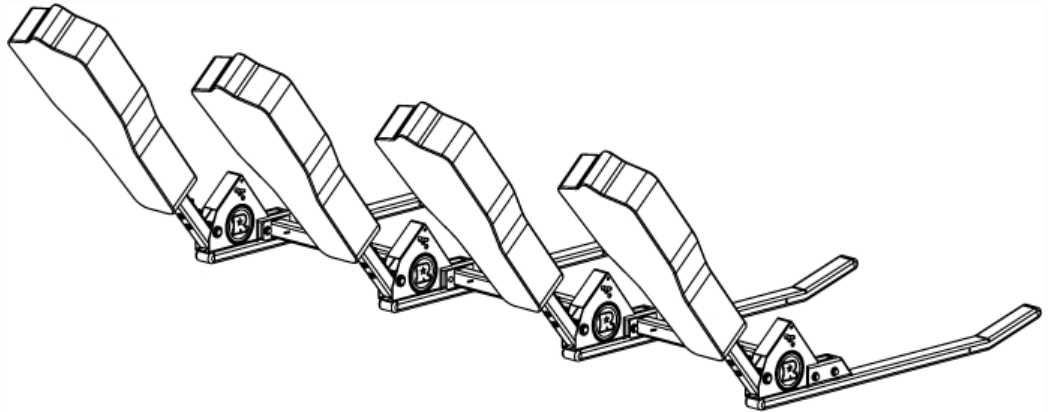




**ROGGEERS**  
*For the Perfection of Football Fundamentals™*

**PRODUCT INFORMATION PACKET**  
**PRODUCT NAME: POWERLINE SLED**  
**PRODUCT PART NUMBER: 411101 - 411107**



**KEEP INFORMATION PACKET FOR FUTURE REFERENCE**

# TABLE OF CONTENTS

---

- Introduction..... 1
- General Safety Rules.....2
- Symbols.....3
- Technical Specifications.....4
- Assembly Instructions.....5
- Maintenance.....6
- Customer Service Information.....6

## INTRODUCTION

---

The Rogers Athletic Powerline Sled has been designed and manufactured with safety, performance and dependability as top priorities, making it easy to operate and maintain.

The care you give your Powerline Sled will greatly determine your satisfaction with its performance and service life. Careful study of this manual is encouraged to obtain a thorough understanding of your new Powerline Sled and its functions and maintenance.

If your manual becomes lost or destroyed, Rogers Athletic will gladly provide you with a new copy. Should you require additional information or assistance, please feel free to contact us at 1-800-457-5337.

BECAUSE ROGERS ATHLETIC MAINTAINS AN ONGOING PROGRAM OF  
PRODUCT DEVELOPMENT AND IMPROVEMENT, WE RESERVE THE RIGHT  
TO MAKE IMPROVEMENTS IN DESIGN OR CHANGES IN SPECIFICATIONS  
WITHOUT INCURRING ANY OBLIGATIONS TO INSTALL THEM ON UNITS  
PREVIOUSLY SOLD.

# GENERAL SAFETY RULES

---



## **WARNING!**

### **READ AND UNDERSTAND ALL INSTRUCTIONS.**





Failure to follow all instructions listed below may result in serious personal injury.

---

## **SAVE THESE INSTRUCTIONS**

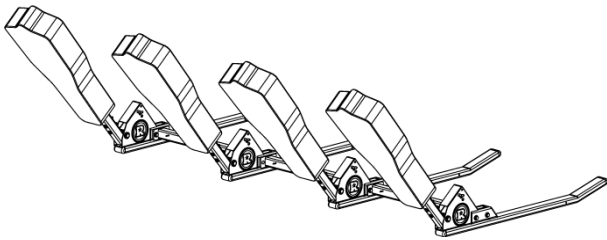
- **Read the Product Information Packet.** Failure to read the information packet is considered a misuse of this equipment.
- **Inspect equipment prior to use. DO NOT use if it appears damaged or inoperable.**
- **Obtain a medical exam prior to beginning any new physical activity.** Use equipment only if properly fit to engage in physical activity.
- **Stop physical activity if you feel faint, dizzy, or experience pain at any time and consult your physician.**
- **Use field equipment in a supervised environment.**
- **Keep body and clothing clear of all moving parts**
- **Stay clear of all pinch points**
- **Save these instructions.** Refer to them frequently and use them to instruct others who may use the Powerline Sled. If you loan someone your Powerline Sled, loan them these instructions also.
- **Become familiar with all caution and warning decals affixed to the field equipment before use.**
- **Never cover or deface caution/warning labels.**
- **Remove pad after use. Store pads in dry and safe place.**
- **Always wear a helmet when training with the PowerLine Sled.**

# SYMBOLS

	<p><b>Safety Alert:</b> Precautions that involve your safety.</p>
 <div data-bbox="391 621 602 806" style="border: 1px solid black; padding: 5px;"> <p><b>⚠ WARNING</b></p> <p><b>Pinch Point.</b> Keep hands and fingers clear.</p> </div>	<p><b>Pinch Point Symbol:</b> Failure to keep hands away from pinch points may result in personal injury.</p>
 <div data-bbox="391 886 602 1071" style="border: 1px solid black; padding: 5px;"> <p><b>⚠ WARNING</b></p> <p>Read and understand operator's manual and all other safety instructions before using this equipment.</p> </div>	<p><b>Read the Operator's Manual:</b> To reduce risk of injury, user must read and understand operator's manual before using this product.</p>
 <div data-bbox="391 1148 602 1333" style="border: 1px solid black; padding: 5px;"> <p><b>⚠ WARNING</b></p> <p>Avoid Injury. Do not climb.</p> </div>	<p><b>Do Not Climb Warning Label:</b> To reduce risk of injury, do not climb on.</p>

# ROGERS ATHLETIC POWERLINE SLED™ SPECIFICATIONS

## POWERLINE SLED (PART # 411101-411107)



Weight:	1 man = 191 lbs (87 kg) 2 man = 353 lbs (160 kg) 3-7 man = + 200 lbs (91 kg) each
Height:	15.5" (39cm) without pad
Depth:	82.7" (210cm) without pad
Width:	1 man = 34.25" (87 cm) 2 man = 52" (132 cm) without pad 3-7 man = + 48" (122 cm) each

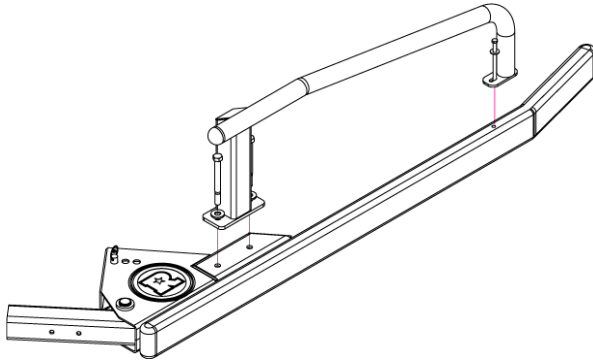
- Proper fit, extension, and finish skills are naturally perfected with regular powerline drills.
- Modular design allows easy upgrading by adding links and runners to your current Powerline Sled setup.
- Heavy weight increases realism of blocking drills.
- Energy-absorbing spring responds to individual effort.
- Adjustable pad height and pad angle to best suit your drills
- Angle keeps players low.
- Ground-hugging framework allows players to run through on defensive drills.
- Pad is held securely in place with a single pin making it easy to install, change, and remove the pad.
- The Powerline Sled is adaptable to five different pads to perfect different techniques for both offense and defense.
- The Powerline Sled can come with the optional Coach's Platform, for close-up evaluation and extra weight.

## Powerline Sled™ Construction, Finish, and Hardware

- Construction: of ASTM specified steel.
- Baked-on powder coat finish.
- Pads covered with durable weather-resistant vinyl.
- Zinc-plated hardware.

# ASSEMBLY INSTRUCTIONS

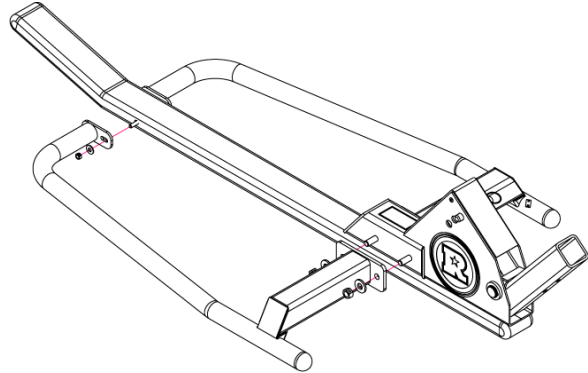
1



**Note: For 2 – 7 man Powerline Sled setups skip to step 4.**

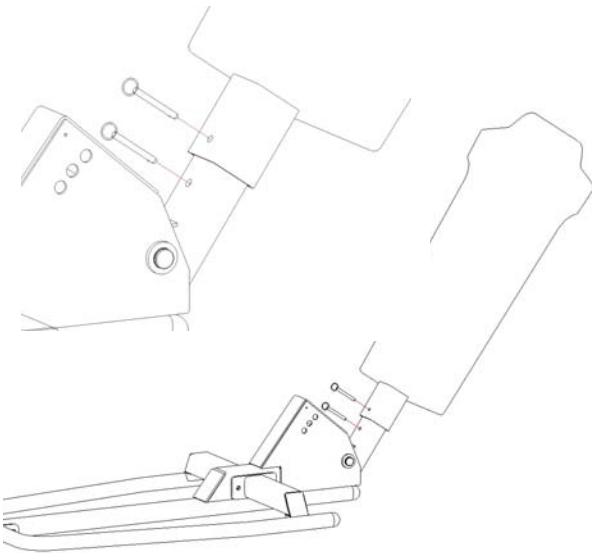
Lay PowerLine (PL) Sub-Assembly Runner on its side. Line up holes from the PL Outrigger with holes on the runner and use (2) 5/8" x 6" bolts and (2) 5/8" washers to hold it in place. Use a 3/8" x 5 1/2" bolt and 3/8" washer for the rearward hole. Then flip runner right side up so outrigger lays on the ground. Push bolts the rest of the way through.

2



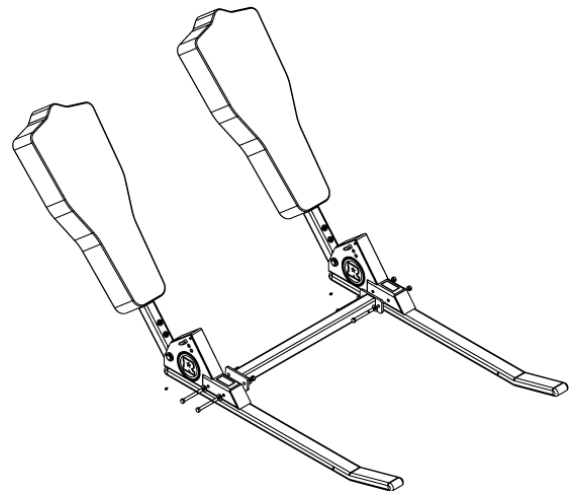
Fit second outrigger over the bolts and secure with (2) more 5/8" washers, (2) 5/8" nuts, (1) 3/8" washer and (1) 3/8" nut.

3



Insert the pad tube into the PL Sub Assembly with the graphics of the pad facing toward the training area. Use fas-pins to fasten the pad to the PL Runner.

4



**For 2-7 man Powerline Sleds:** Use the (2) 5/8" x 6" bolts, (2) 5/8" nuts, and (4) 5/8" washers to connect each PL runner to connection link. Repeat steps 3 & 4 for each additional unit installed

# MAINTENANCE

---



## **WARNING!**

### **READ AND UNDERSTAND ALL MAINTENANCE PROCEDURES.**

Failure to follow all procedures listed below may cause serious injury and/or a decrease in equipment functionality.

---

- **Frequently check to see that all bolts are securely fastened.**
- **Touch up paint may be used to cover scratches or blemishes sustained through use.**
- **Field equipment should be washed periodically with soapy water to maintain original surface finish.**
- **A silicone based lubricant may be used on moving parts to maintain proper function.**
- **Replace any damaged equipment with genuine Rogers Athletic parts.** Failure to do so may result in unsafe equipment and/or personal injury.

# CUSTOMER SERVICE

---

For parts or service contact Rogers Athletic Company. When ordering parts be sure to provide all relevant information available including the name and part number of the equipment purchased. This information is located on the cover of this product information package. Customer service hours are Monday through Friday from 8:00 a.m. to 5:00 p.m. Eastern Standard Time. Customers can phone (989) 386-2950 or toll free at 1-800-457-5337. Fax toll free at (888) 549-9659 or mail to:

Rogers Athletic Company  
3760 W. Ludington Drive  
Farwell, MI 48622

Rogers Athletic Company  
3760 N. Ludington Drive  
Farwell, MI 48622

[www.rogersathletic.com](http://www.rogersathletic.com)

(989) 386-2950

(800) 457-5337

Fax toll free (888) 549-9659