

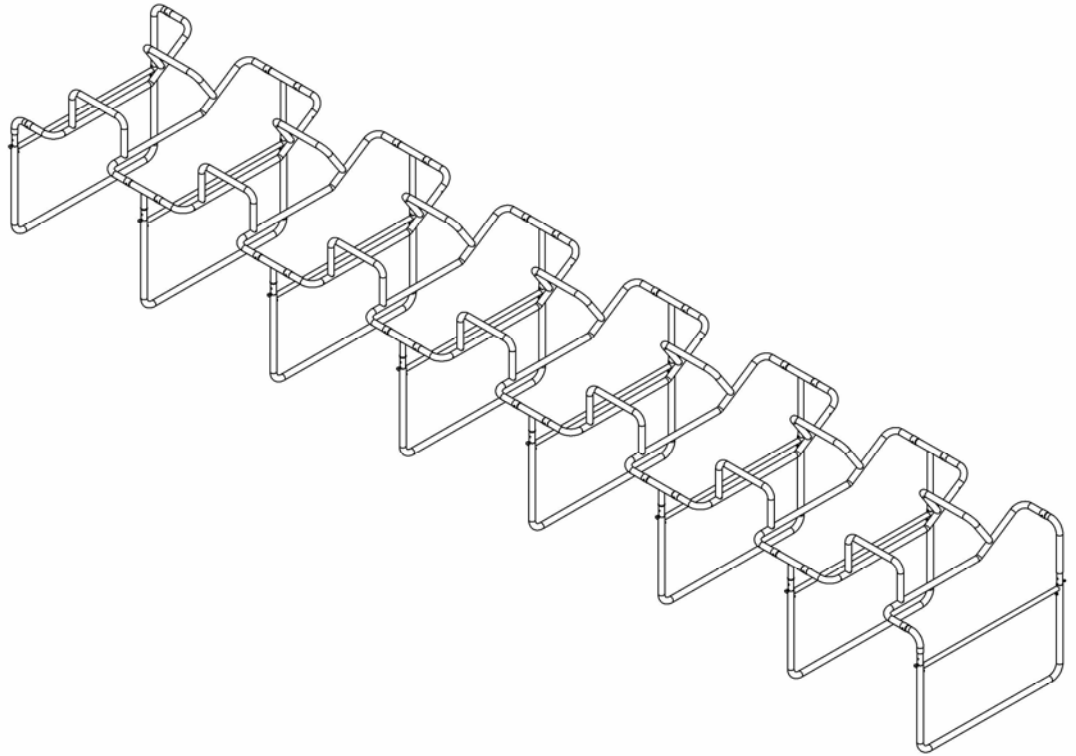


ROGGIERS
For the Perfection of Football Fundamentals™

PRODUCT INFORMATION PACKET

PRODUCT NAME: SPEED CHUTES

PRODUCT PART NUMBER: 410149-410153,
410257-410258



KEEP INFORMATION PACKET FOR FUTURE REFERENCE

TABLE OF CONTENTS

- Introduction.....2
- General Safety Rules.....3
- Symbols.....3
- Technical Specifications.....4
- Assembly Instructions.....5
- Maintenance.....6
- Customer Service Information.....6

INTRODUCTION

The Rogers Athletic Speed Chute has been designed and manufactured with safety, performance and dependability as top priorities, making it easy to operate and maintain.

The care you give your Speed Chute will greatly determine your satisfaction with its performance and service life. Careful study of this manual is encouraged to obtain a thorough understanding of your new Speed Chute and its functions.

If your manual is lost or destroyed, Rogers Athletic will gladly provide you with a new copy. Should you require additional information or assistance, please feel free to contact us at 800-457-5337.

BECAUSE ROGERS ATHLETICS MAINTAINS AN ONGOING PROGRAM OF
PRODUCT DEVELOPMENT AND IMPROVEMENT, WE RESERVE THE RIGHT
TO MAKE IMPROVEMENTS IN DESIGN OR CHANGES IN SPECIFICATIONS
WITHOUT INCURRING ANY OBLIGATIONS TO INSTALL THEM ON UNITS
PREVIOUSLY SOLD.

GENERAL SAFETY RULES



WARNING!

READ AND UNDERSTAND ALL INSTRUCTIONS.

Failure to follow all instructions listed below may result in serious personal injury.

SAVE THESE INSTRUCTIONS

- **Save these instructions.** Refer to them frequently and use them to instruct others who may use the Speed Chute.
- **Read the Product Information Packet.** Failure to read the information packet is considered a misuse of this equipment.
- **Become familiar with all caution and warning decals affixed to the field equipment before use.**
- **Never cover or deface caution/warning labels.**

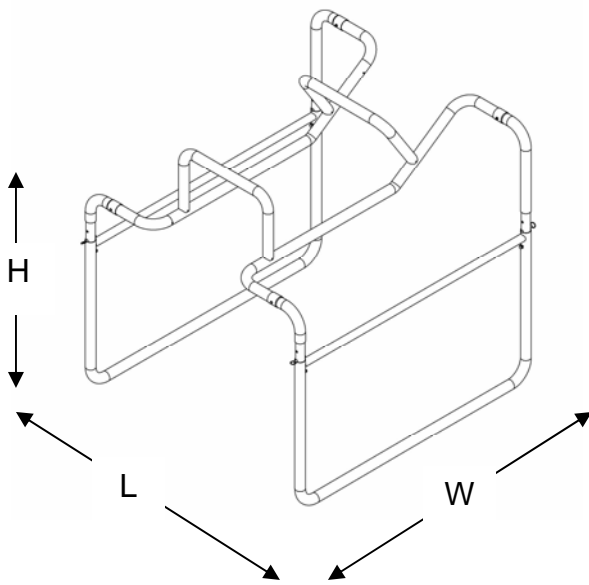
SYMBOLS

| | |
|--|---|
| | <p>Safety Alert: Precautions that involve your safety</p> |
| | <p>Read The Operator's Manual: To reduce risk of injury, user must read and understand operator's manual before using this product</p> |
| | <p>Pinch Point Symbol: Failure to keep hands away from pinch points will result in personal injury</p> |
| | <p>Do Not Climb Warning Label: To reduce risk of injury, do not climb on field equipment</p> |

ROGERS ATHLETIC FIELD EQUIPMENT SPECIFICATIONS

SPEED CHUTES

| Description | Part Number | Weight | Dimensions (L x W) | Adjustable Height |
|-------------|-------------|---------|--------------------|-------------------|
| 1 – Man | 410149 | 105 lb. | 56" x 60" | 41" – 51" |
| 2 – Man | 410150 | 180 lb. | 112" x 60" | 41" – 51" |
| 3 – Man | 410151 | 255 lb. | 166" x 60" | 41" – 51" |
| 4 – Man | 410152 | 330 lb. | 221" x 60" | 41" – 51" |
| 5 – Man | 410153 | 405 lb. | 276" x 60" | 41" – 51" |
| 6 – Man | 410257 | 480 lb. | 331" x 60" | 41" – 51" |
| 7 – Man | 410258 | 555 lb. | 385" x 60" | 41" – 51" |

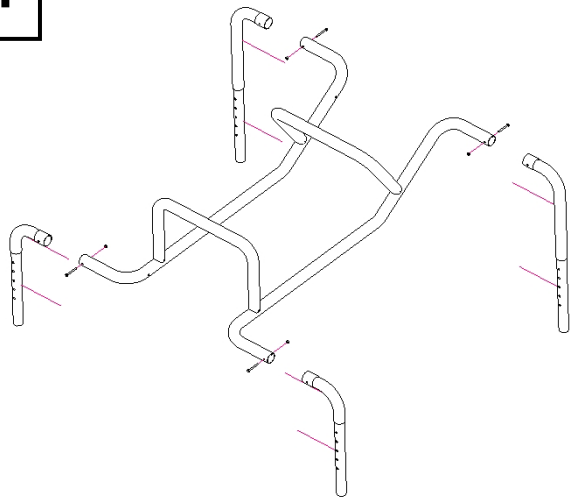


- Design allows the athletes to keep their shoulders low while at the same time keeping their heads up
- Adjust shoulder height from 41" to 51"
- Design allows for one to seven man chute configurations.

Field Equipment Construction, Finish, and Hardware

- Constructed of ASTM specified steel.
- Hardware Zinc plated to resist corrosion
- Durable Powdercoat finish for years of performance

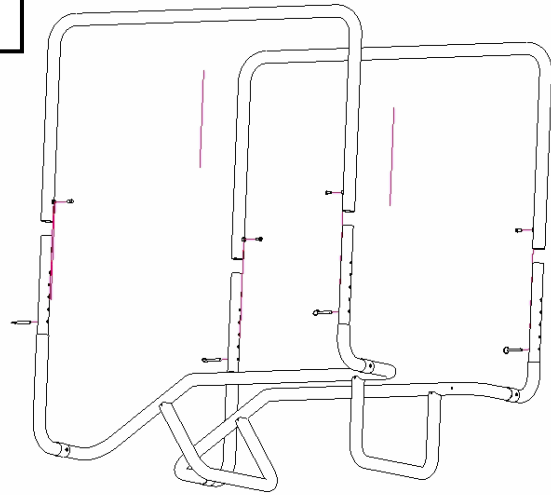
1



Note: Only for Single Man Chutes, 2-7 Man Chutes, skip to Step 3

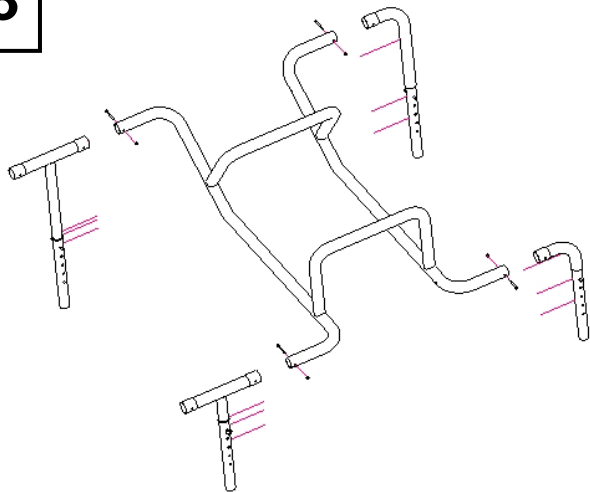
Insert (4) Chute Elbows into Chute Top, Place (4) 1/4" bolts and (4) 1/4" nuts through Elbow and Top.

2



Flip assembly from Step 1 over, insert (4) fas-pins into desired matching heights. Insert runners onto elbows. Place and tighten 3/8" Bolt.

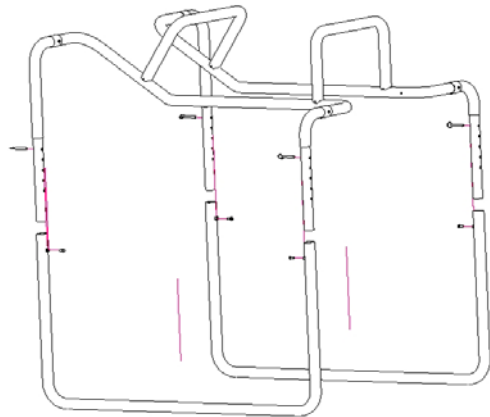
3



2-7 Man Chute

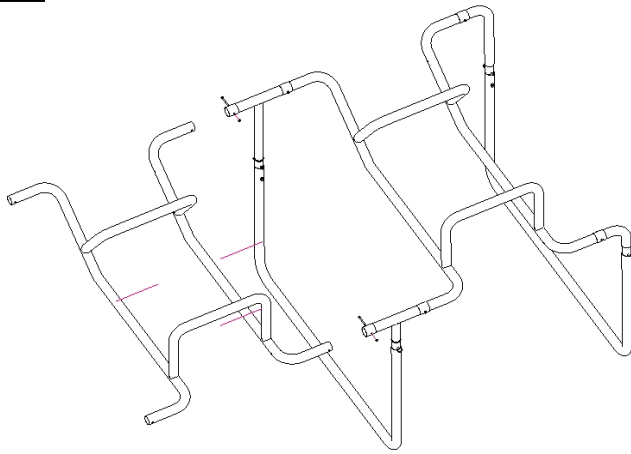
Insert (2) Chute Elbows into Chute Top. Place (2) 1/4: bolts and (2) 1/4" nuts through Elbow and Top. Insert (2) Chute Tee's into Chute Top. Place (2) 1/4: bolts and (2) 1/4" nuts through Tee and Top.

4



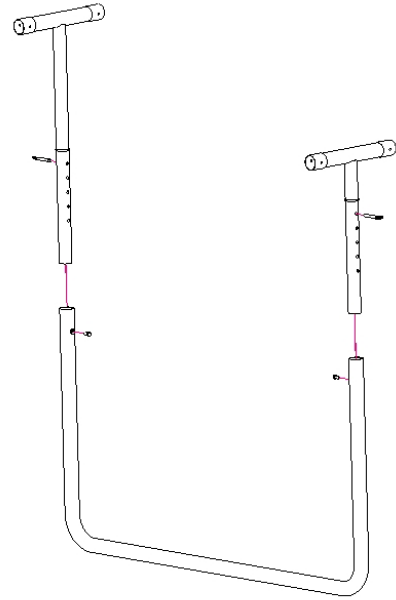
See **Step 2** for adding runners

5



Insert Chute Top into assembly from step 4. Place (2) 1/4" bolts and (2) 1/4" nuts through Top and Tee.

6



Place fas-pin in each Tee. Insert Tee into runner. Tighten 3/8" Bolts located in runner.

7

Insert Assembly from Step 6 into Step 5. Place (2) 1/4" bolts and (2) 1/4" nuts through Top and Tee. Repeat Steps 5, 6, and 7 until Speed Chute is complete. On the end, elbows will be used instead of Tees.

MAINTENANCE



WARNING!

READ AND UNDERSTAND ALL MAINTENANCE PROCEDURES.

Failure to follow all procedures listed below may cause serious injury and a decrease in the equipments functional existence.

- **Frequently check to see that all bolts are securely fastened.**
- **Field equipment should be washed periodically with soapy water to maintain original surface finish.**
- **Touch up paint can be used to cover any scratches or blemishes sustained through use.**
- **A silicone based lubricant may be used on moving parts to maintain proper function.**
- **Replace any damaged equipment with genuine Rogers Athletic parts.** Failure to do so may result in unsafe equipment and/or personal injury.

CUSTOMER SERVICE

For parts or service contact Rogers Athletic Company. When ordering parts be sure to provide all relevant information available including the name and part number of the equipment purchased. This information is located on the cover of this product information package. Customer service hours are Monday through Friday from 8:00 a.m. to 5:00 p.m. Eastern Standard Time. Customers can phone (989) 386-2950 or toll free at 1-800-457-5337. Fax toll free at (888) 549-9659 or mail:

Rogers Athletic Company
3760 W. Ludington Drive
Farwell, Michigan 48622

Rogers Athletic Company
3760 N. Ludington Drive
Farwell, MI 48622
www.rogersathletic.com
(989) 386-2950
(800) 457-5337
Fax toll free (888) 549-9659

PIPSPEEDCHUTE