

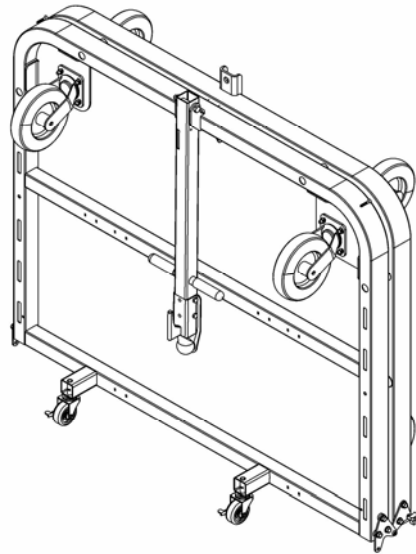
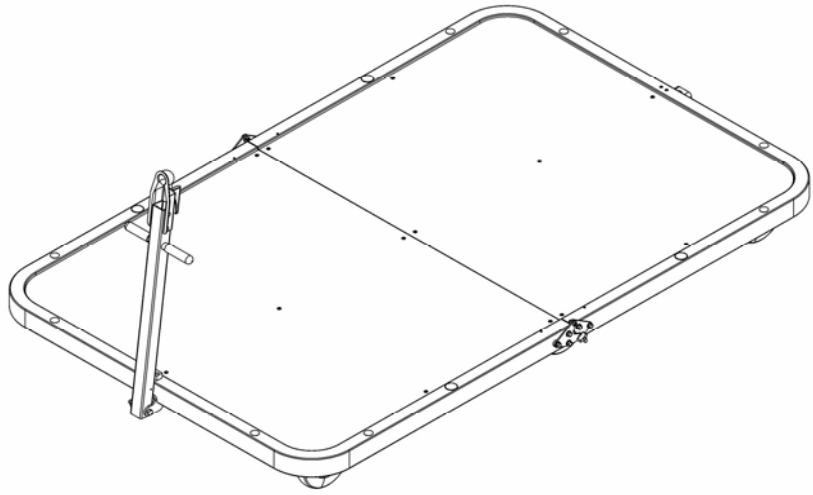


**ROGERS**  
For the Perfection of Football Fundamentals™

## PRODUCT INFORMATION PACKET

PRODUCT NAME: FIELD CART

PRODUCT PART NUMBER: 360160



**KEEP INFORMATION PACKET FOR FUTURE REFERENCE**

# TABLE OF CONTENTS

---

- Introduction.....1
- General Safety Rules.....2
- Symbols.....3
- Technical Specifications.....4
- Operating Instructions.....5
- Maintenance.....7
- Customer Service Information.....7

## INTRODUCTION

---

The Rogers Athletic Field Cart has been designed and manufactured with safety, performance and dependability as top priorities, making it easy to operate and maintain.

The care you give your Field Cart will greatly determine your satisfaction with its performance and service life. Careful study of this manual is encouraged to obtain a thorough understanding of your new Field Cart and its functions.

If your manual is lost or destroyed, Rogers Athletic will gladly provide you with a new copy. Should you require additional information or assistance, please feel free to contact us at 800-457-5337.

BECAUSE ROGERS ATHLETICS MAINTAINS AN ONGOING PROGRAM OF  
PRODUCT DEVELOPMENT AND IMPROVEMENT, WE RESERVE THE RIGHT  
TO MAKE IMPROVEMENTS IN DESIGN OR CHANGES IN SPECIFICATIONS  
WITHOUT INCURRING ANY OBLIGATIONS TO INSTALL THEM ON UNITS  
PREVIOUSLY SOLD.

# GENERAL SAFETY RULES

---



## **WARNING!**

### **READ AND UNDERSTAND ALL INSTRUCTIONS.**

Failure to follow all instructions listed below may result in serious personal injury.







---

## **SAVE THESE INSTRUCTIONS**

### **SAVE THESE INSTRUCTIONS**

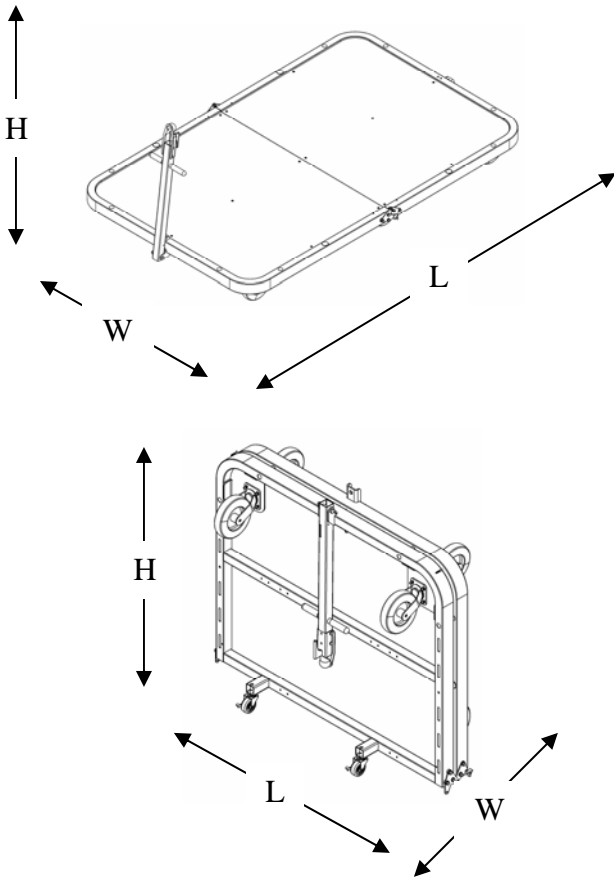
- **Stay clear of all pinch points.** Keep hands away from pinch points.
- **Make sure the hitch coupler is properly engaged before towing Field Cart.**
- **The Field Cart is for Off Road use only.** The cart is intended to be used at practice/game fields. Do not attempt to haul cart on main road ways.
- **Do not haul Field Cart at speeds exceeding 5 mph.** Hauling at excessive speed may cause the cart to lose control thereby causing an accident or serious injury.
- **Do not ride on the Field Cart.** The cart is intended to haul equipment only. Failure to adhere by this rule can cause serious personal injury.
- **Set brakes on the Field Cart when left unattended.**
- **Save these instructions.** Refer to them frequently and use them to instruct others who may use the Field Cart.
- **Read the Product Information Packet.** Failure to read the information packet is considered a misuse of this equipment.
- **Become familiar with all caution and warning decals affixed to the field equipment before use.**
- **Never cover or deface caution/warning labels.**

# SYMBOLS

	<p><b>Safety Alert:</b> Precautions that involve your safety</p>
 <div data-bbox="370 436 570 617" style="border: 1px solid black; padding: 2px;"> <p><b>⚠ WARNING</b></p> <p>Read and understand operator's manual and all other safety instructions before using this equipment.</p> </div>	<p><b>Read The Operator's Manual:</b> To reduce risk of injury, user must read and understand operator's manual before using this product</p>
 <div data-bbox="370 688 570 869" style="border: 1px solid black; padding: 2px;"> <p><b>⚠ CAUTION</b></p> <p><b>Pinch Point.</b> Keep Hands And Fingers Clear</p> </div>	<p><b>Pinch Point Warning Label:</b> Failure to keep hands away from pinch points will result in personal injury</p>
 <div data-bbox="370 940 570 1121" style="border: 1px solid black; padding: 2px;"> <p><b>⚠ CAUTION</b></p> <p>Avoid Injury. Do not climb.</p> </div>	<p><b>Do Not Climb Warning Label:</b> To reduce risk of injury, do not climb on field equipment</p>
 <div data-bbox="370 1180 570 1360" style="border: 1px solid black; padding: 2px;"> <p><b>⚠ CAUTION</b></p> <p><b>Off-Road Use Only</b></p> </div>	<p><b>For Off-Road Use Only Warning Label:</b> Field equipment is not intended or designated for roadway travel</p>
 <div data-bbox="370 1444 570 1625" style="border: 1px solid black; padding: 2px;"> <p><b>⚠ CAUTION</b></p> <p><b>Do Not Exceed 5 mph</b></p> </div>	<p><b>Hauling Speed Warning Label:</b> Do not exceed 5 mph when hauling field equipment.</p>

# ROGERS ATHLETIC FIELD EQUIPMENT SPECIFICATIONS

## FIELD CART (PART #360160)



### Use Position

Weight: 300 lbs	(136 kg)
Height: 43.25 in	(109.75 cm)
Length: 101.50 in	(257.75 cm)
Width: 62.75 in	(62.75 cm)

### Storage Position

Height: 54.50 in	(138.50 cm)
Length: 62.75 in	(159 cm)
Width: 22.50 in	(57 cm)

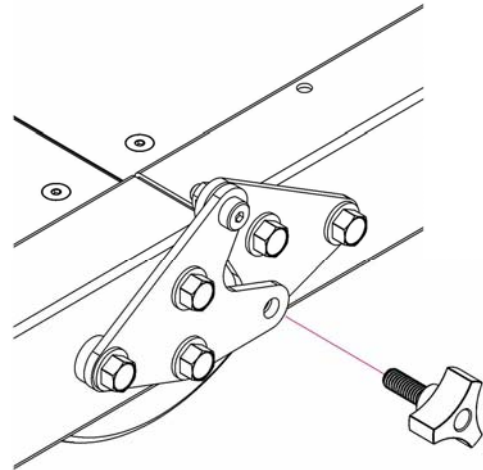
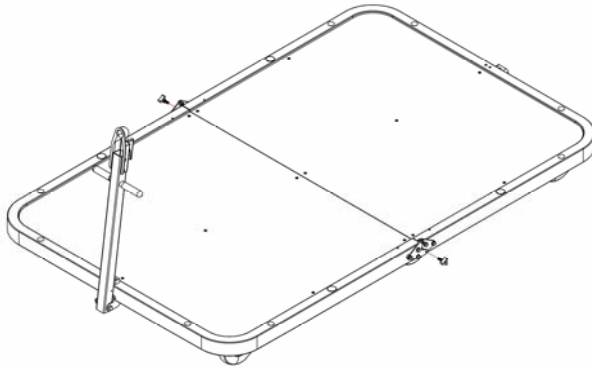
- Platform is off the ground 10 ¾" for easy loading and unloading of equipment.
- Large foam filled locking casters provide a stable and reliable base.
- Multiple carts can be connected together for a rapid, more efficient deployment.
- Cart can be moved manually or with a hitch vehicle.
- Slotted areas enable strap attachment to secure equipment.
- Raised platform lip prevents items from falling off.
- Slip resistant surface stands up in all weather conditions.
- Rounded tubular frame protect those loading and unloading equipment.
- Mobile compact storage design.
- Optional add-on features allow user to secure athletic equipment for a wide variety of situations.
- Special order colors available to match school colors.

### Construction, Finish, and Hardware

- Constructed of ASTM specified steel.
- Baked-on powder coat finish.
- GripWorks® "Softex" grip material or equivalent.
- Non-marking pneumatic casters.
- Zinc-plated hardware.

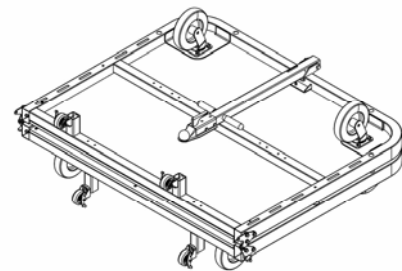
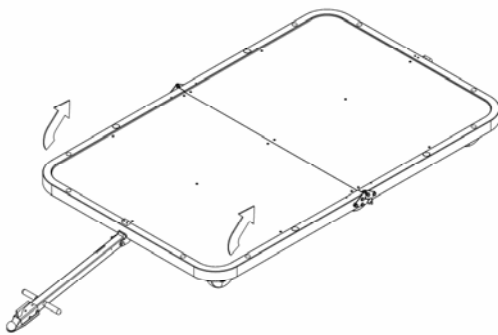
# User Instructions

1



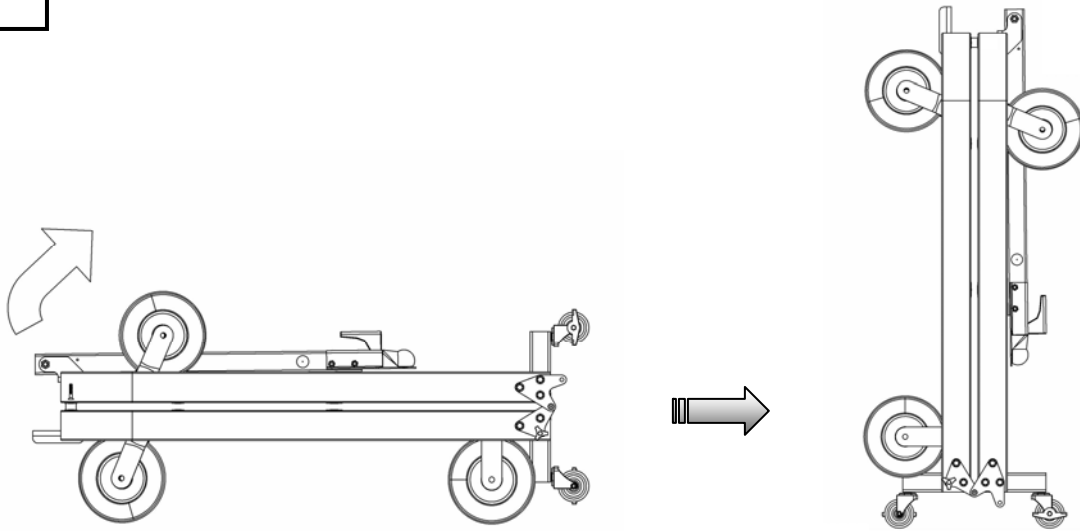
To fold the Field Cart up for storage, begin by removing the locking stud from both sides of the cart. Turning the plastic knob counterclockwise will remove the stud while turning clockwise will tighten the stud. Place the studs aside as they need to be reinserted after the cart has been folded for storage. **Note: Casters should be in locked position when folding/unfolding the Field Cart. The process of folding/unfolding requires two people.**

2



Rotate the hitch tube so that it rest on the floor. Pick up on the front half of the cart and rotate it onto the back half. Position the hitch tube as shown and reinsert threaded studs for storage. **Note: Cart can be maneuvered manually with hitch tube in this orientation. Be sure to have plenty of room when folding cart.**

3



Lift up on the front end of the cart to rotate onto the storage casters. Now the cart can be pushed or pulled to the desired storage location. **Note: Remove threaded studs before unfolding cart when going from the storage position to the use position.**

## CUSTOMER SERVICE

---

For parts or service contact Rogers Athletic Company. When ordering parts be sure to provide all relevant information available including the name and part number of the equipment purchased. This information is located on the cover of this product information package. Customer service hours are Monday through Friday from 8:00 a.m. to 5:00 p.m. Eastern Standard Time. Customers can phone (989) 386-2950 or toll free at 1-800-457-5337 toll free at (888) 549-9659 or mail:

Rogers Athletic Company  
3760 W. Ludington Drive  
Farwell, Michigan 48622

# MAINTENANCE

---



## **WARNING!**

### **READ AND UNDERSTAND ALL MAINTENANCE PROCEDURES.**

Failure to follow all procedures listed below may cause serious injury and a decrease in the equipments functional existence.

---

- **Check and maintain air pressure in tires monthly.** Failure to do so could result in improper handling of the field equipment thus causing an accident or serious injury. Reference tire side wall for recommended air pressure.
- **Frequently check to see that all bolts are securely fastened.**
- **Field equipment should be washed periodically with soapy water to maintain original surface finish.**
- **Frequently check trailer hitch coupler for proper locking.** Failure to do so could result in serious injury or accident.
- **Touch up paint can be used to cover any scratches or blemishes sustained through use.**
- **A silicone based lubricant may be used on moving parts to maintain proper function.**
- **Replace any damaged equipment with genuine Rogers Athletic parts.** Failure to do so may result in unsafe equipment and/or personal injury.

Rogers Athletic Company  
3760 N. Ludington Drive  
Farwell, MI 48622  
[www.rogersathletic.com](http://www.rogersathletic.com)  
(989) 386-2950  
(800) 457-5337  
Fax toll free (888) 549-9659