

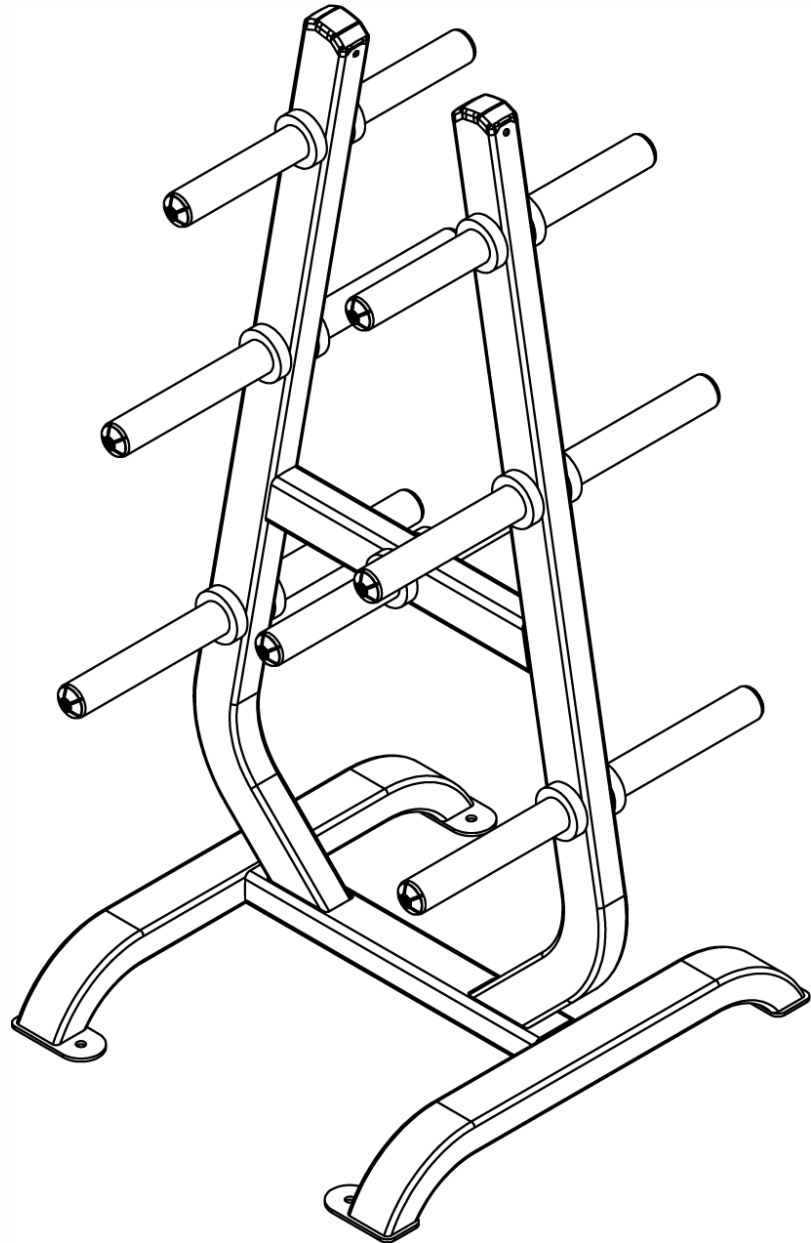


ROGERS

PRODUCT INFORMATION PACKET

PRODUCT NAME: BRUTE WEIGHT TREE

PRODUCT PART NUMBER: 410526



KEEP INFORMATION PACKET FOR FUTURE REFERENCE

TABLE OF CONTENTS

- Introduction.....1
- General Safety Rules.....2
- Symbols.....3
- Technical Specifications.....4
- Use Instructions.....5
- Maintenance.....6
- Customer Service Information.....6

INTRODUCTION

The Rogers Athletic Brute Weight Tree has been designed and manufactured with safety, performance and dependability as top priorities, making it easy to operate and maintain.

The care you give your Brute Weight Tree will greatly determine your satisfaction with its performance and service life. Careful study of this manual is encouraged to obtain a thorough understanding of your new Brute Weight Tree and its functions.

If your manual is lost or destroyed, Rogers Athletic will gladly provide you with a new copy. Should you require additional information or assistance, please feel free to contact us at 800-457-5337.

BECAUSE ROGERS ATHLETICS MAINTAINS AN ONGOING PROGRAM OF
PRODUCT DEVELOPMENT AND IMPROVEMENT, WE RESERVE THE RIGHT
TO MAKE IMPROVEMENTS IN DESIGN OR CHANGES IN SPECIFICATIONS
WITHOUT INCURRING ANY OBLIGATIONS TO INSTALL THEM ON UNITS
PREVIOUSLY SOLD.

GENERAL SAFETY RULES



WARNING!





READ AND UNDERSTAND ALL INSTRUCTIONS.

Failure to follow all instructions listed below may result in serious personal injury.

SAVE THESE INSTRUCTIONS

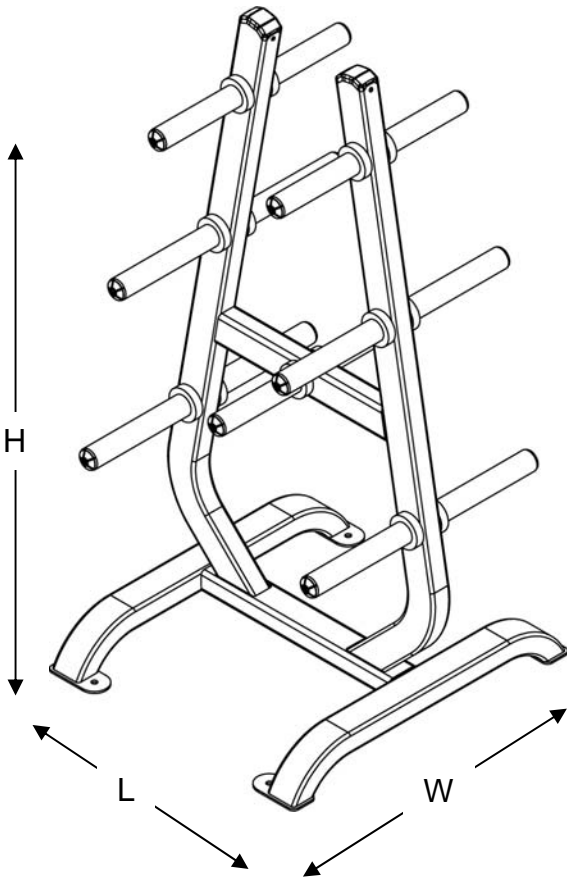
- **Supervision of athletes while using the equipment is recommended.** Horse play such as climbing on the equipment or using the equipment for unintended purpose can result in injuries.
- **Athletes should be oriented in the proper use of the equipment.**
- **Athletes should be properly fit to engage in a workout regimen.** Obtaining a medical exam prior to beginning any exercise program is recommended. If an athlete feels faint, dizzy, or experiences pain at any time while exercising, they should stop exercising and consult a physician.
- **Inspect equipment prior to use.** DO NOT use if it appears damaged or inoperable.
- **This Product Information Packet is an integral part of this equipment.** Save these instructions. If they are lost or damaged or if you would like another copy, a copy can be downloaded from www.RogersAthletic.com
- **Reading the Product Information Packet is recommended.** Failure to read this Packet is considered a misuse of this equipment.
- **Warning labels are an integral part of this equipment.** Become familiar with all caution/warning labels and never cover or deface caution/warning labels.
- **Install the equipment allowing sufficient room for safe access to it.**
- **Unit is designed for storing free weight plates.** Do not use weight equipment for anything other than its approved purpose.
- **Anchoring the equipment in place is recommended.** The Rogers Athletic Brute Weight Tree has built-in anchor points allowing it to be bolted down. Rogers Athletic is not responsible for the installation of the anchors. Use a professional contractor to anchor the machine(s). Use 3/8" grade 5 or better fasteners.
- **A clean workout environment is recommended to avoid trip hazards.**
- **Questions or comments?** Please contact Rogers Athletic by phone (1-800-457-5337), or visit our website at www.RogersAthletic.com

SYMBOLS

	<p>Safety Alert: Precautions that involve your safety</p>				
<table border="1" style="width: 100%;"><tr><td colspan="2" style="background-color: #ff8c00; color: white; text-align: center;">⚠ WARNING</td></tr><tr><td style="text-align: center;"></td><td style="padding: 5px;">To avoid personal injury, do not use this equipment until properly trained.</td></tr></table>	⚠ WARNING			To avoid personal injury, do not use this equipment until properly trained.	<p>Athletes must be properly trained before using equipment. Failure to train athletes may result in personal injury.</p>
⚠ WARNING					
	To avoid personal injury, do not use this equipment until properly trained.				

ROGERS ATHLETIC WEIGHT EQUIPMENT SPECIFICATIONS

BRUTE WEIGHT TREE



Weight:	93 lbs (42 kg)
Height:	60" (152.5 cm)
Length:	27.5" (70 cm)
Width:	31" each (79 cm)

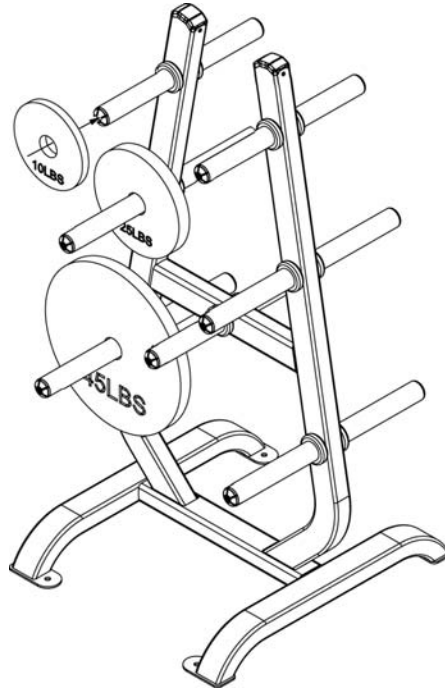
- Compact design
- Eight 10.5" weight horns
- Six 8.5" weight horns
- Ability to hold a wide variety of weight plates
- Durable urethane weight horns
- Equipped for floor anchorage

Construction, Finish, and Hardware

- Constructed of ASTM specified steel.
- Baked-on powder coat finish
- Urethane coated weight horns

1

Proper Use



It is recommended that the heaviest weight plates are positioned on the bottom weight horns.

MAINTENANCE



WARNING!

READ AND UNDERSTAND ALL MAINTENANCE PROCEDURES.

Failure to follow all procedures listed below may cause serious injury and decrease the equipment's functional existence.

- **Frequently check to see that all weight horns are securely fastened.**
- **Touch up paint can be used to cover any scratches or blemishes sustained through use.**
- **Mild detergent or disinfectant may be used to clean weight equipment.**
- **Replace any damaged equipment with genuine Rogers Athletic parts.** Failure to do so may result in unsafe equipment and/or personal injury.

CUSTOMER SERVICE

For parts or service contact Rogers Athletic Company. When ordering parts be sure to provide all relevant information available including the name and part number of the equipment purchased. This information is located on the cover of this product information package. Customer service hours are Monday through Friday from 8:00 a.m. to 5:00 p.m. Eastern Standard Time. Customers can phone (989) 386-2950 or toll free at (800) 457-5337. Fax toll free at (888) 549-9659 or mail to:

Rogers Athletic Company
3760 W. Ludington Drive
Farwell, Michigan 48622

Rogers Athletic Company
3760 N. Ludington Drive
Farwell, MI 48622
www.RogersAthletic.com
(989) 386-2950
(800) 457-5337
Fax toll free (888) 549-9659

PIP410526