



SYSTEM

Pendulum™

EQUIPMENT

SHOULDER INCLINE

PART NUMBER

410649

PATENT PENDING

> **SHOULDER INCLINE**

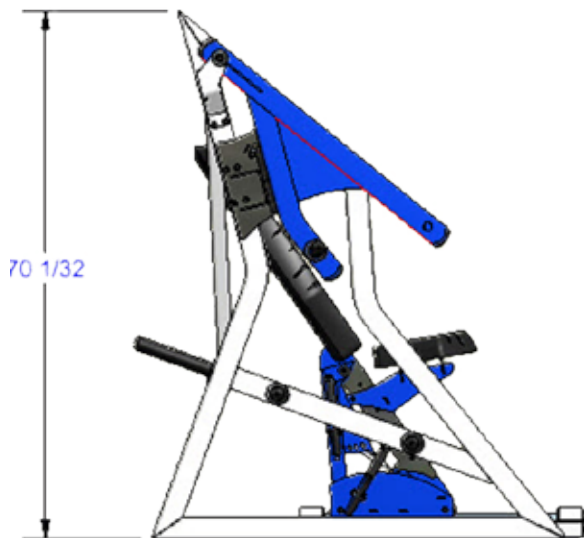
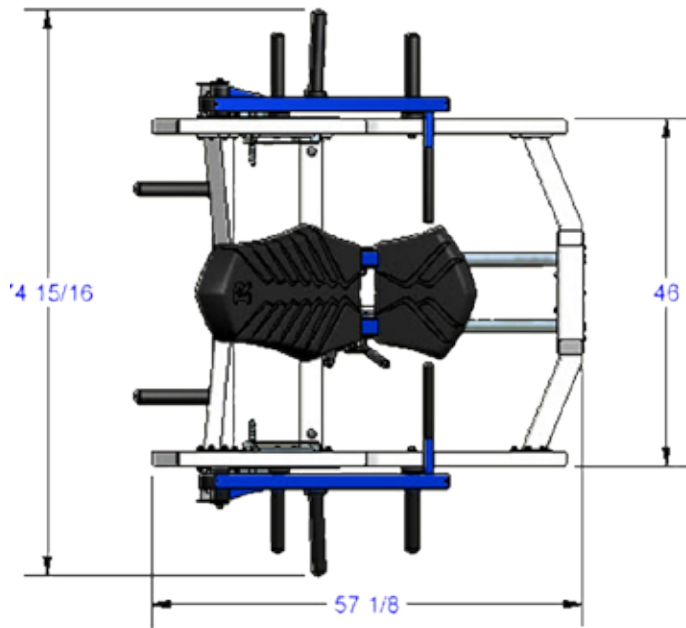
The Pendulum Shoulder Incline Machine utilizes Set Extension Technology to allow varied training. Adjust the machine from a military shoulder press to multi-angle incline chest press to optimize stimulation. The fully adjustable seat allows for any athlete to be put in the correct and comfortable position.





LAT COMBO PULL

| | |
|-------------|---------------------|
| PART NUMBER | 410649 |
| WEIGHT | 424lbs 192kg |
| HEIGHT | 70" 177cm |
| LENGTH | 74" 188cm |
| WIDTH | 57" 144cm |



» » » » FEATURES « « « «

- Zinc-plated
- Adjustable seat that tilts, slides back and forth, and adjusts up and down. The adjustable seat allows an athlete to achieve a correct and comfortable position.
- Weight horn storage
- Adjust the machine from a military shoulder press to a multi-angle incline chest press.
- Independent movement arms provide a "free-weight" sensation. Increased muscle stimulation with natural movement.

» » » » CONSTRUCTION, FINISH, AND HARDWARE « « « «

- Base: ASTM A500 tubing
- Frame: ASTM A513 tubing, steel plate, bar
- Baked on powder coat finish
- Zinc-plated hardware grade 5 or equivalent
- Custom end caps
- Self lubricating, self contained bearings
- Urethane bumper
- Weight Horn Construction: Extruded plastic tube with steel insert and custom retaining end caps
- Seat cushions made of self-skinning urethane foam
- Grips made of Grip Works® "Softex" material or equivalent