



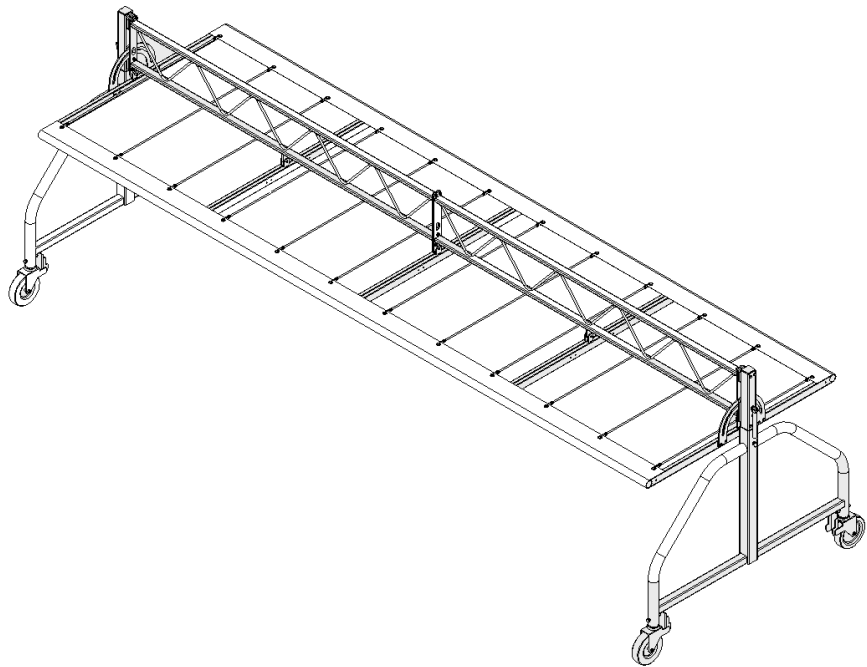
ROGGEERS

For the Perfection of Football Fundamentals™

PRODUCT INFORMATION PACKET

PRODUCT NAME: COMBO CHUTE

PRODUCT PART NUMBER: 410717, 410718, 410419
410720, 410721, 410722,
410723 & 410724



KEEP INFORMATION PACKET FOR FUTURE REFERENCE

TABLE OF CONTENTS

- Introduction.....1
- General Safety Rules.....2
- Symbols.....3
- Technical Specifications.....4
- Assembly Instructions.....5
- Maintenance.....7
- Customer Service Information.....7

INTRODUCTION

The Rogers Athletic Combo Chute has been designed and manufactured with safety, performance and dependability as top priorities, making it easy to operate and maintain.

The care you give your Combo Chute will greatly determine your satisfaction with its performance and service life. Careful study of this manual is encouraged to obtain a thorough understanding of your new Combo Chute and its functions and maintenance.

If your manual becomes lost or destroyed, Rogers Athletic will gladly provide you with a new copy. Should you require additional information or assistance, please feel free to contact us at 1-800-457-5337.

BECAUSE ROGERS ATHLETIC MAINTAINS AN ONGOING PROGRAM OF
PRODUCT DEVELOPMENT AND IMPROVEMENT, WE RESERVE THE RIGHT
TO MAKE IMPROVEMENTS IN DESIGN OR CHANGES IN SPECIFICATIONS
WITHOUT INCURRING ANY OBLIGATIONS TO INSTALL THEM ON UNITS
PREVIOUSLY SOLD.

GENERAL SAFETY RULES



WARNING!

READ AND UNDERSTAND ALL INSTRUCTIONS.

Failure to follow all instructions listed below may result in serious personal injury.

SAVE THESE INSTRUCTIONS

- **Supervision of athletes while using the equipment is recommended.** Horse play such as climbing on the machine or using the machine for unintended purpose can result in injuries.
- **Athletes should be oriented in the proper use of the equipment.**
- **Athletes should be properly fit to engage in a workout regimen.** Obtaining a medical exam prior to beginning any training program is recommended. If an athlete feels faint, dizzy, or experiences pain at any time while exercising, they should stop exercising and consult a physician.
- **Inspect equipment prior to use.** DO NOT use if it appears damaged or inoperable.
- **This Product Information Packet is an integral part of this machine.** Save these instructions. If they are lost or damaged or if you would like another copy, a copy can be downloaded from www.RogersAthletic.com
- **Reading the Product Information Packet is recommended.** Failure to read this Packet is considered a misuse of this equipment.
- **Warning labels are an integral part of this equipment.** Become familiar with all caution/warning labels and never cover or deface caution/warning labels.
- **Deploy the equipment allowing sufficient room for safe access to the machine, adequate room for the coaches to stand and to ensure that the machine or players do not collide with a wall, another machine, or other players through the entire training exercise.**
- **Unit is designed for training multiple offensive and defensive drills with proper technique.** Do not use Trap Chute for anything other than its approved purpose.
- **Design and execute training drills to avoid players from attempting to run through the same gap in the unit simultaneously.** Colliding players could come in contact with the unit and/or connecting links resulting in an injury.
- **When not in use, store this equipment in a secure controlled area.** Unsupervised and/or inappropriate use of this equipment could result in serious injury.
- **Remove mesh cover after use or in times of high wind.**

SYMBOLS



Safety Alert: Precautions that involve your safety.

 WARNING	
	Store in secure area. Inappropriate use of this equipment could result in serious injury.

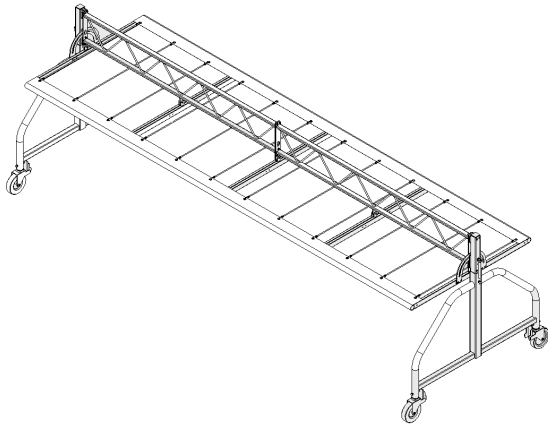
Store this equipment in a secure, controlled area:
Unsupervised and/or inappropriate use of this equipment could result in serious injury.

 WARNING	
	Avoid Injury. Do not climb.

Do Not Climb Warning Label: To reduce risk of injury, do not climb field equipment.

ROGERS ATHLETIC COMBO CHUTE SPECIFICATIONS

COMBO CHUTE (PART # 410717, 410718, 410419, 410720,
410721, 410722, 410723 & 410724)



Weight:	16'x5' = 455 lbs.
	24'x5' = 580 lbs.
	32'x5' = 715 lbs.
	40'x5' = 820 lbs.
	16'x8' = 515 lbs.
	24'x8' = 665 lbs.
	32'x8' = 815 lbs.
	40'x8' = 965 lbs.
Lengths:	16', 24', 32', or 40"
Width:	5', or 8'
Height:	max 69", min 45"

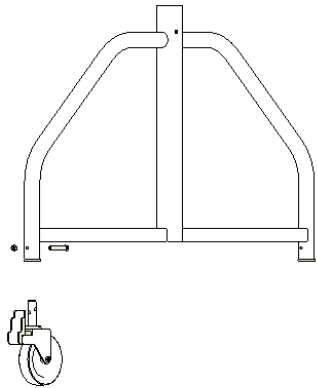
- Free to move laterally, but limited in height, keeps players low to evade detection.
- Change the height and the angle of the chute to best develop your players' skills.
 - Height adjusts 24" in 2" increments from 45" to 69"
 - Angle adjusts from 0 to 16 degrees
- Design drills that go the entire length of the Chute
- Run tight formations with the entire offensive line and the wide receivers through the 32' or 40' model.
- Powder-coated steel protects your investment.
- Castors allow the Combo Chute to be moved so grass wears evenly or for different drills.

Combo Chute Construction, Finish, and Hardware

- Constructed of ASTM specified steel.
- Baked-on powder coat finish.
- Zinc-plated hardware.

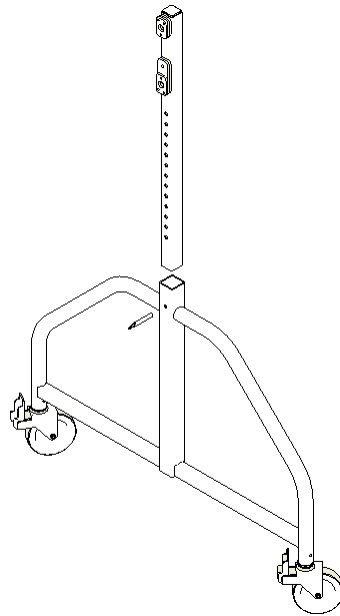
ASSEMBLY INSTRUCTIONS

1



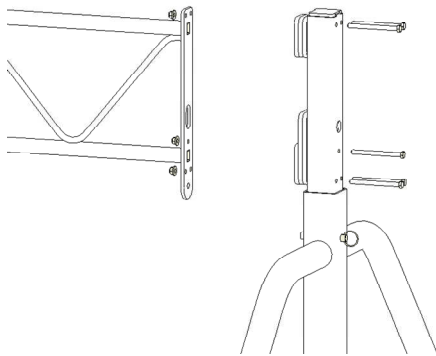
Insert each Caster into End Frame Assembly and secure using (1) 1/2" x 3 1/2" bolt and (1) 1/2" nut per caster.

2



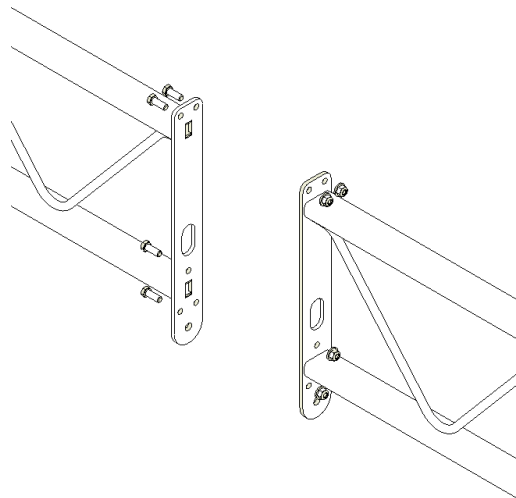
Insert Inner Leg Assembly into End Frame Assembly and secure with pin. *To adjust height remove pin and slide inner leg assembly up or down.*

3



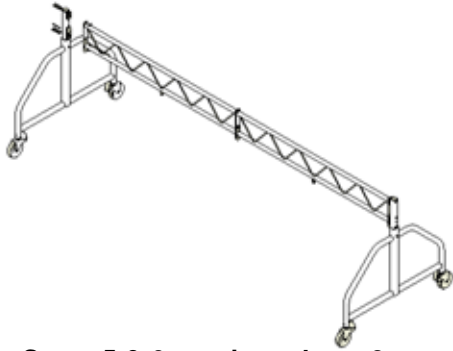
Attach 8' Truss to End Frame Assembly with (5) 3/8" x 4 1/2" bolts and (5) 3/8" nuts

4



Attach the remaining Trusses together using (5) 3/8" x 1" bolts and (5) 3/8" nuts per truss

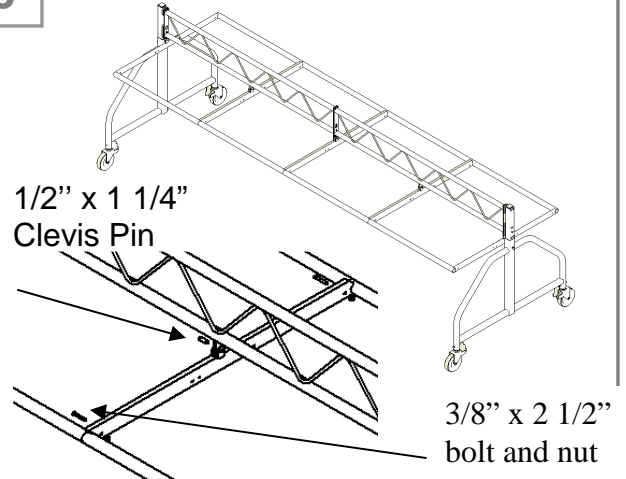
5



Note: Steps 5 & 6 require at least 2 people.

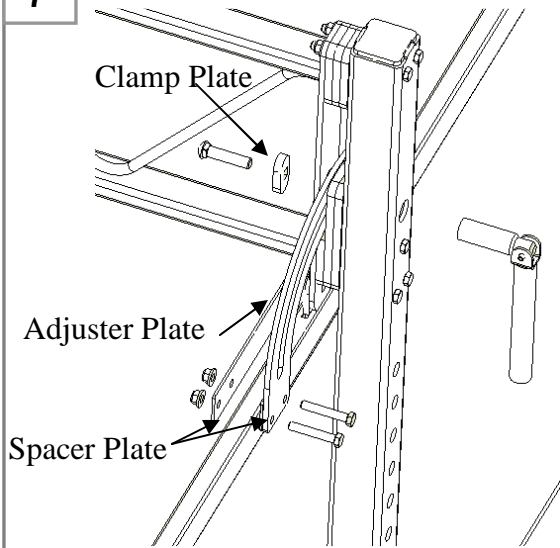
Using (5) 3/8" x 4 1/2" bolts and (5) 3/8" nuts, attach the End Frame assembly to the chain of Trusses. Tighten any bolts left loose.

6



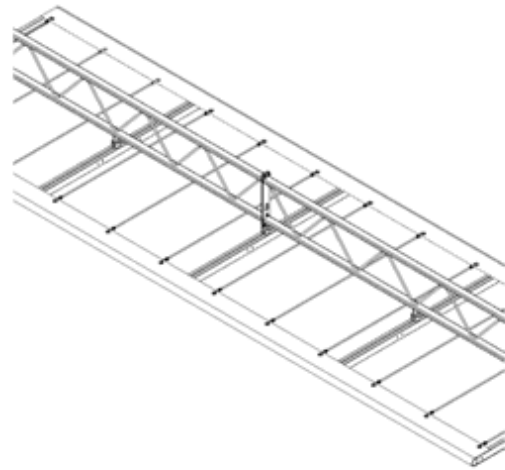
Attach the Combo Chute Top Frames to the Trusses using 1/2" x 1 1/4" clevis pin. Secure the frames together using (2) 3/8" x 2 1/2" bolts and (2) 3/8" nuts.

7



Secure the Adjuster Plate and (2) Spacer Plates (one immediately behind the Adjuster Plate and one inside the Top Frame) with (4) 3/8" x 2 1/4" bolts and (4) 3/8" nuts. Insert 2 1/2" carriage bolt through the Clamp Plate, Truss, and End Frame Assembly. Thread into the Handle Assembly. *To adjust angle, loosen carriage bolt, twist the top frame to desired angle, then tighten the bolt back up.*

8



Wrap Mesh Cover around the Top Frames and secure by hooking bungee cords through the grommets of the cover. Remove cover and store inside after use to prevent theft/ wind damage.

MAINTENANCE



WARNING!

READ AND UNDERSTAND ALL MAINTENANCE PROCEDURES.

Failure to follow all procedures listed below may cause serious injury and/or a decrease in equipment functionality.

- **Frequently check to see that all bolts are securely fastened.**
- **Touch up paint may be used to cover scratches or blemishes sustained through use.**
- **Field equipment should be washed periodically with soapy water to maintain original surface finish.**
- **A silicone based lubricant may be used on moving parts to maintain proper function.**
- **Replace any damaged equipment with genuine Rogers Athletic parts.** Failure to do so may result in unsafe equipment and/or personal injury.

CUSTOMER SERVICE

For parts or service contact Rogers Athletic Company. When ordering parts be sure to provide all relevant information available including the name and part number of the equipment purchased. This information is located on the cover of this product information package. Customer service hours are Monday through Friday from 8:00 a.m. to 5:00 p.m. Eastern Standard Time. Customers can phone (989) 386-2950 or toll free at (800) 457-5337. Fax toll free at (888) 549-9659 or mail to:

Rogers Athletic Company
3760 W. Ludington Drive
Farwell, MI 48622

Rogers Athletic Company
3760 N. Ludington Drive
Farwell, MI 48622
www.rogersathletic.com
(989) 386-2950
(800) 457-5337
Fax toll free (888) 549-9659

PIP410415